

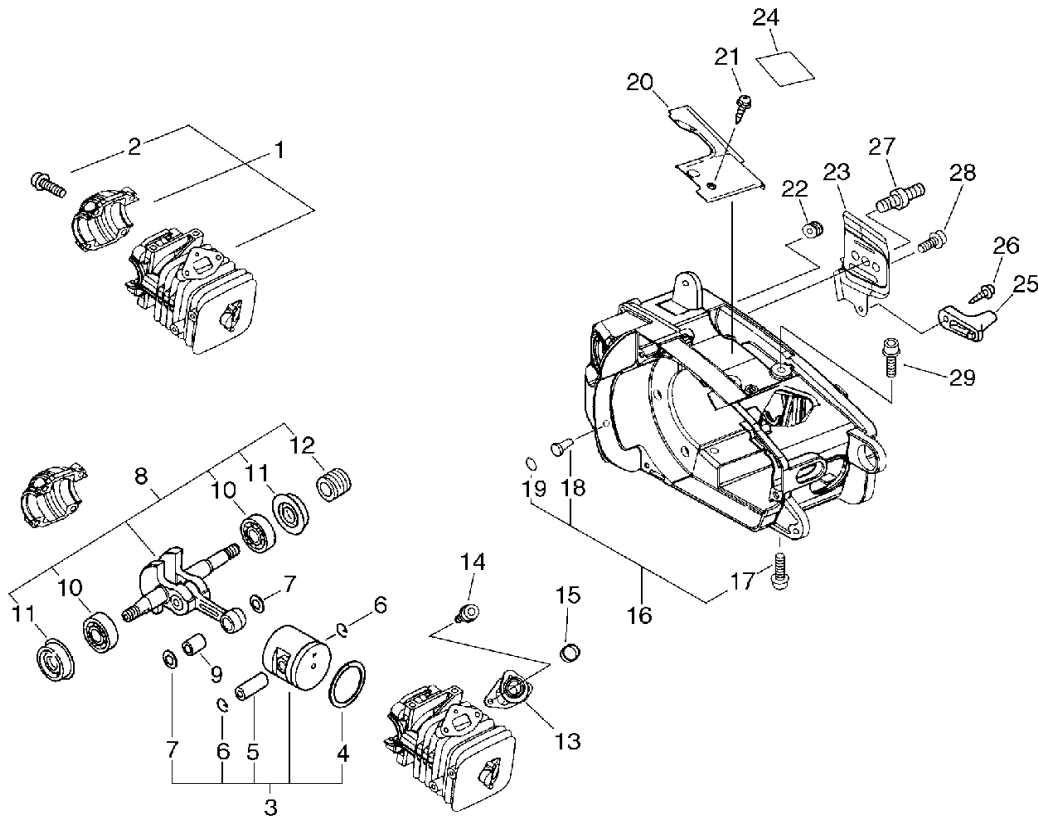


PARTS CATALOG

TOP HANDLE SAW CS-2600(6digits)(35)(36)

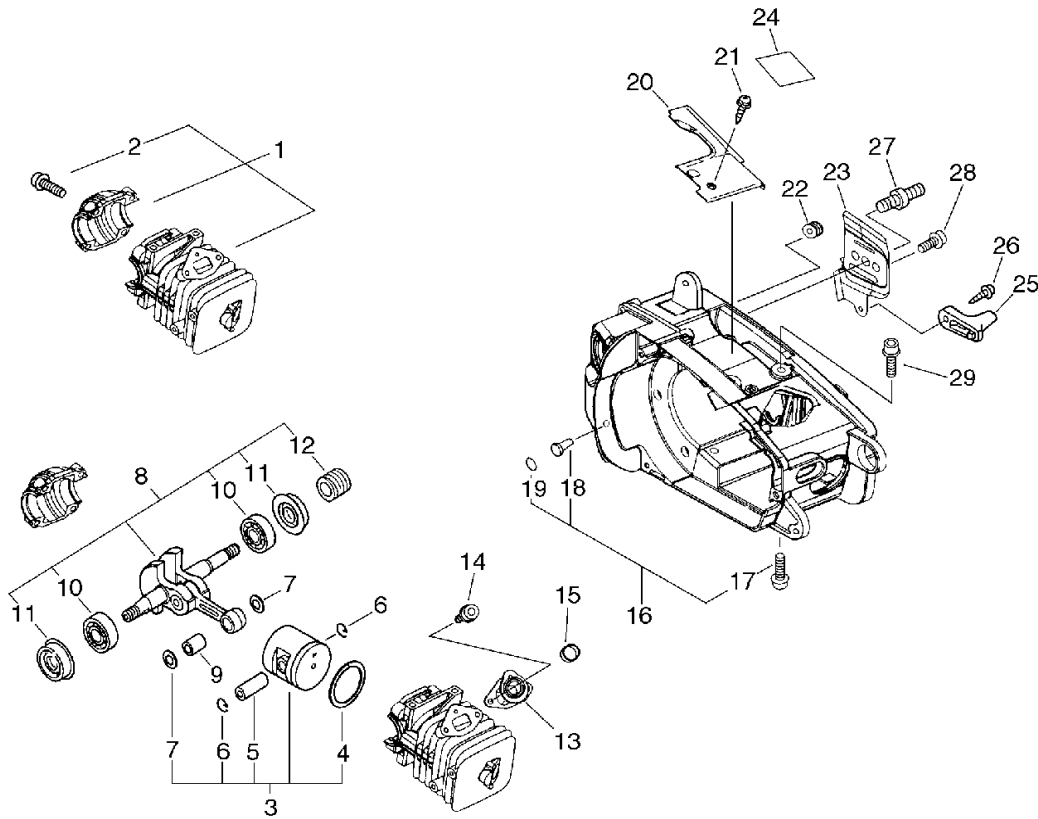
CS-2600(6digits)(35)(36)

1. Cylinder, Crankcase, Piston



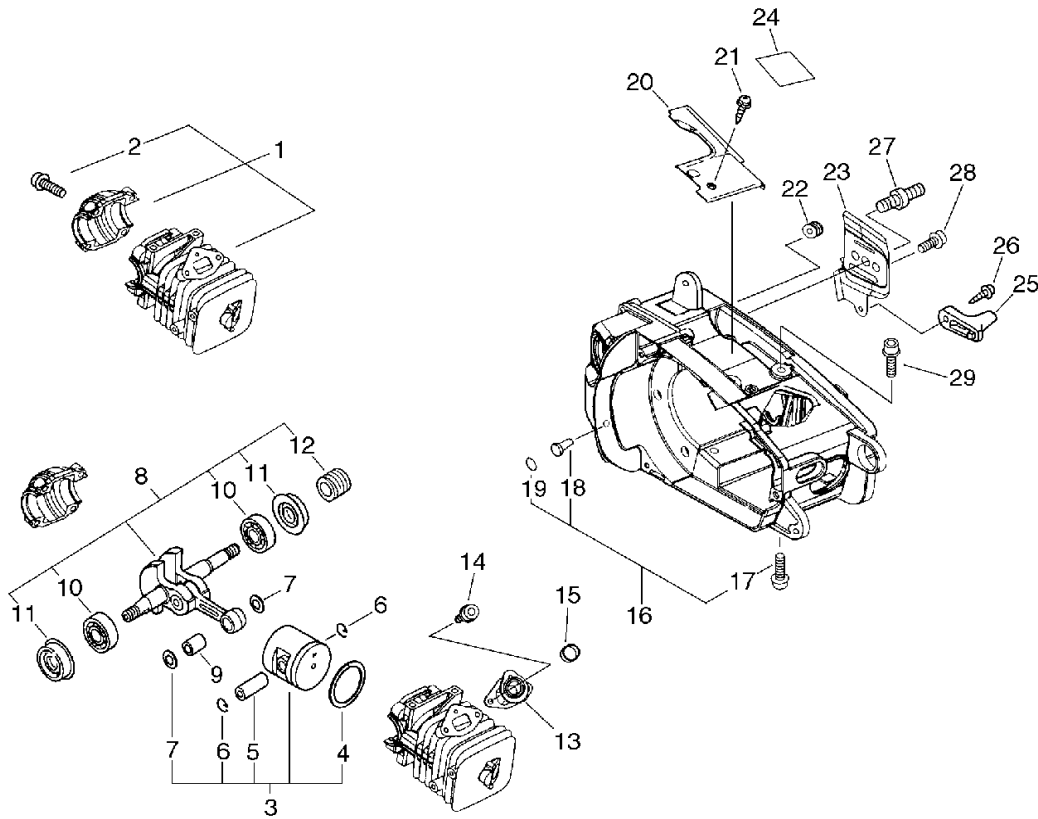
KEY	LV	PART NUMBER	Q'TY	DESCRIPTION	REMARKS	NOTE1	NOTE2
1		P021-001890	1	CRANKCASE SET		Sus. by P021-001892	
1		P021-001891	1	CRANKCASE SET		Sus. by P021-001892	
1		P021-001892	1	CRANKCASE SET			
2	+	900106-05020	4	BOLT, H.S. 5*20	5*20	Sus. by 900162-05022	
2	+	900162-05022	4	BOLT, H.S. 5*22	5*22 W,SW		
3		P021-001900	1	PISTON KIT			
4	+	100011-05731	1	RING, PISTON			
5	+	100013-22330	1	PIN, PISTON			
6	+	100015-04630	2	CIRCLIP, PISTON PIN			
7	+	100014-11520	2	SPACER, PISTON PIN			
8		P021-001920	1	CRANKSHAFT ASY			
9	+	V553-000010	1	BEARING, NEEDLE 8	HK0810		
10	+	900800-36001	2	BEARING, BALL 6001	6001/C3		
11	+	V505-000000	2	SEAL, OIL	12*28*5.5		
12	+	V652-000010	1	GEAR, WORM			
13		A202-000000	1	BELLOWS, INTAKE		Sus. by A202-000001	
13		A202-000001	1	BELLOWS, INTAKE			
14		900162-04012	2	BOLT, H.S. 4*12	4*12 W,SW		
15		V358-000020	1	COLLAR, 14			
16		A190-000050	1	COVER, ENGINE		Sus. by P021-003435	

1. Cylinder, Crankcase, Piston



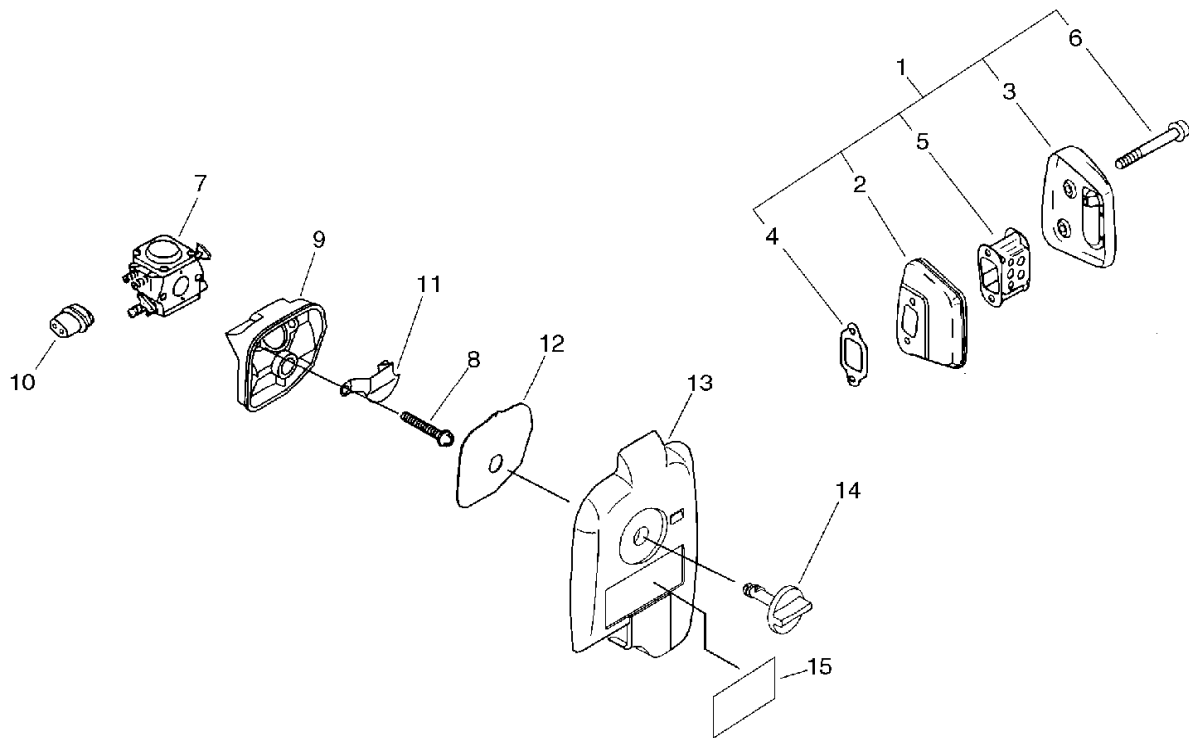
KEY	LV	PART NUMBER	Q'TY	DESCRIPTION	REMARKS	NOTE1	NOTE2
16		A190-000051	1	COVER,ENGINE		Sus. by P021-003435	
16		A190-000052	1	COVER,ENGINE		Sus. by P021-003435	
16		A190-000052	1	COVER,ENGINE		Sus. by P021-003435	
16		P021-003430	1	COVER ENGINE		Sus. by P021-003435	
16		P021-003431	1	COVER ENGINE		Sus. by P021-003435	
16		P021-003432	1	COVER ENGINE		Sus. by P021-003435	
16		P021-003433	1	COVER ENGINE		Sus. by P021-003435	
16		P021-003434	1	COVER ENGINE		Sus. by P021-003435	
16		P021-003435	1	COVER ENGINE		Sus. by P021-003436	
17	+	900106-05020	2	BOLT, H.S. 5*20	5*20	Sr/Nr 36002710 and before	
17	+	900106-05025	2	BOLT, H.S. 5*25	5*25	Sr/Nr 36002711 and after	
18	+	436114-13930	1	VALVE, CHECK			
19	+	900724-00004	1	O-RING (S-4)	S-4	Sr/Nr 36001301 and after	

1. Cylinder, Crankcase, Piston



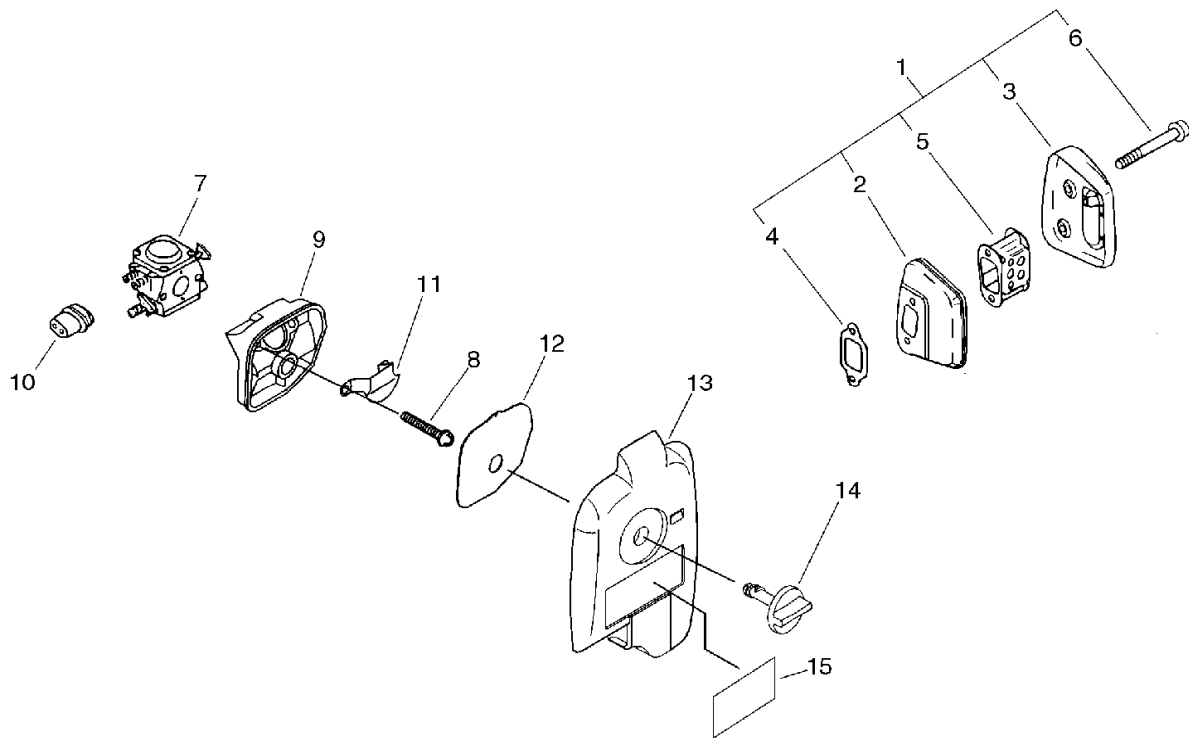
KEY	LV	PART NUMBER	Q'TY	DESCRIPTION	REMARKS	NOTE1	NOTE2
20		A127-000020	1	COVER,DUST		Sus. by A127-000021	
20		A127-000021	1	COVER,DUST			
21		900253-04012	2	SCREW	4*12		
22		163911-30130	1	PLUG			
23		C305-000020	1	PLATE,SPROCKET GUARD		Sus. by C305-000021	
23		C305-000021	1	PLATE,SPROCKET GUARD			
24		X505-000370	1	LABEL,CAUTION		Sus. by X505-002440	
25		433026-35430	1	CATCHER, CHAIN			
26		900253-05020	1	SCREW 5*20	5*20		
27		V225-000030	1	BOLT,STUD 8			
28		V202-000010	2	BOLT,4		Sus. by V202-000011	
28		V202-000011	2	BOLT,4	4*12		
29		900106-05016	4	BOLT, H.S. 5*16	5*16	Sus. by 900106-05016 Q'ty:2	
29		900106-05016	2	BOLT, H.S. 5*16	5*16		

2. Air Cleaner, Muffler



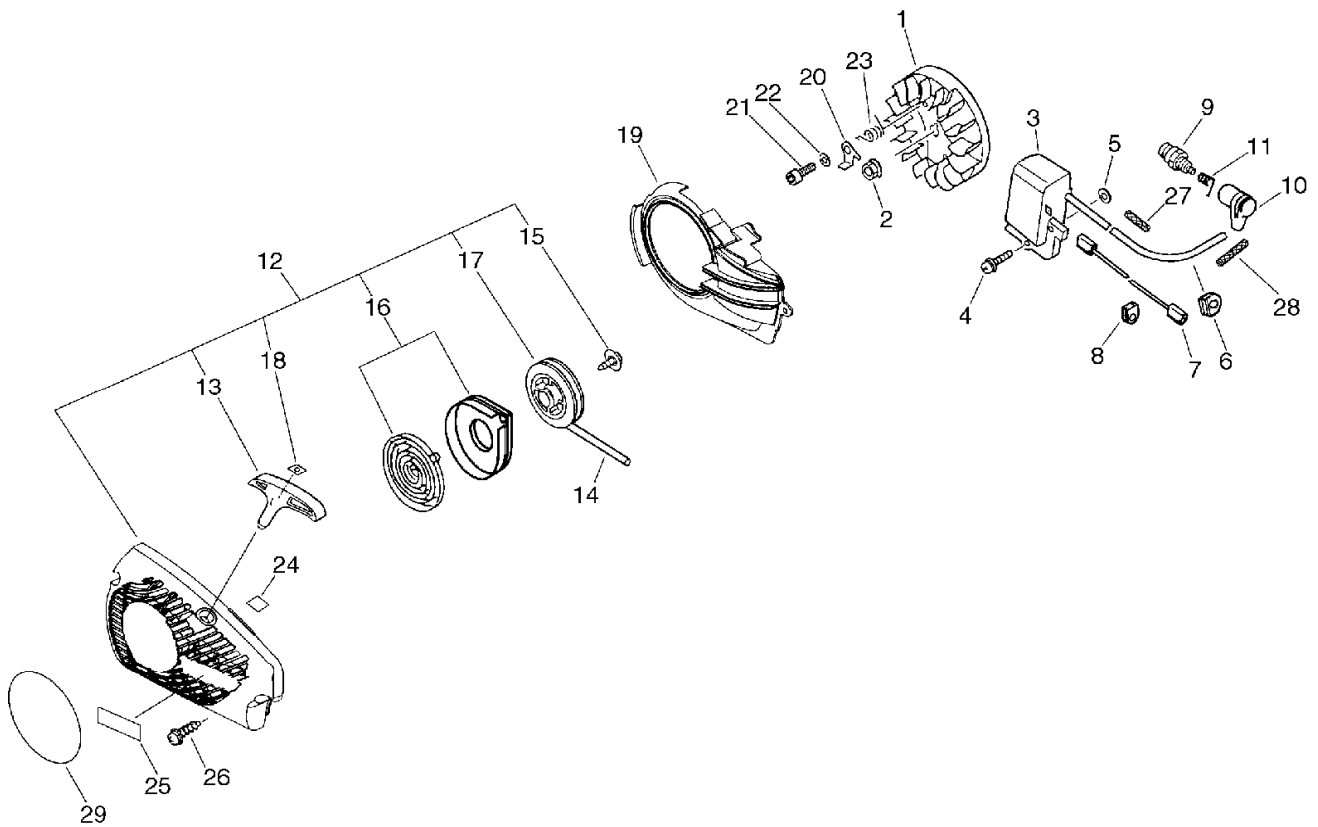
KEY	LV	PART NUMBER	Q'TY	DESCRIPTION	REMARKS	NOTE1	NOTE2
1		P021-001930	1	MUFFLER ASY			
2	+	A300-000130	1	MUFFLER,EXHAUST			
3	+	A303-000000	1	LID,MUFFLER			
4	+	145510-13931	1	GASKET, MUFFLER			
5	+	A301-000000	1	PLATE,MUFFLER			
6	+	91107-05040	2	BOLT HSH FLANGE	5*40		
7		A021-000210	1	CARBURETOR,DIAPHRAGM	WT-584	Sus. by A021-000211	
7		A021-000211	1	CARBURETOR,DIAPHRAGM	WT-584	Sr/Nr 35049494 and before	
7		A021-000970	1	CARBURETOR,DIAPHRAGM	WT696	Sus. by A021-000973	
7		A021-000972	1	CARBURETOR,DIAPHRAGM		Sus. by A021-000973	
7		A021-000973	1	CARBURETOR,DIAPHRAGM	WT696C	Sr/Nr 36001001 and after	
8		900238-05050	2	SCREW 5*50	5*50		
9		A225-000020	1	CASE,CLEANER		Sus. by A225-000021	
9		A225-000021	1	CASE,CLEANER		Sr/Nr 36001000 and before	
9		A225-000022	1	CASE,CLEANER		Sus. by A225-000023	
9		A225-000023	1	CASE,CLEANER		Sr/Nr 36001001 and after	

2. Air Cleaner, Muffler



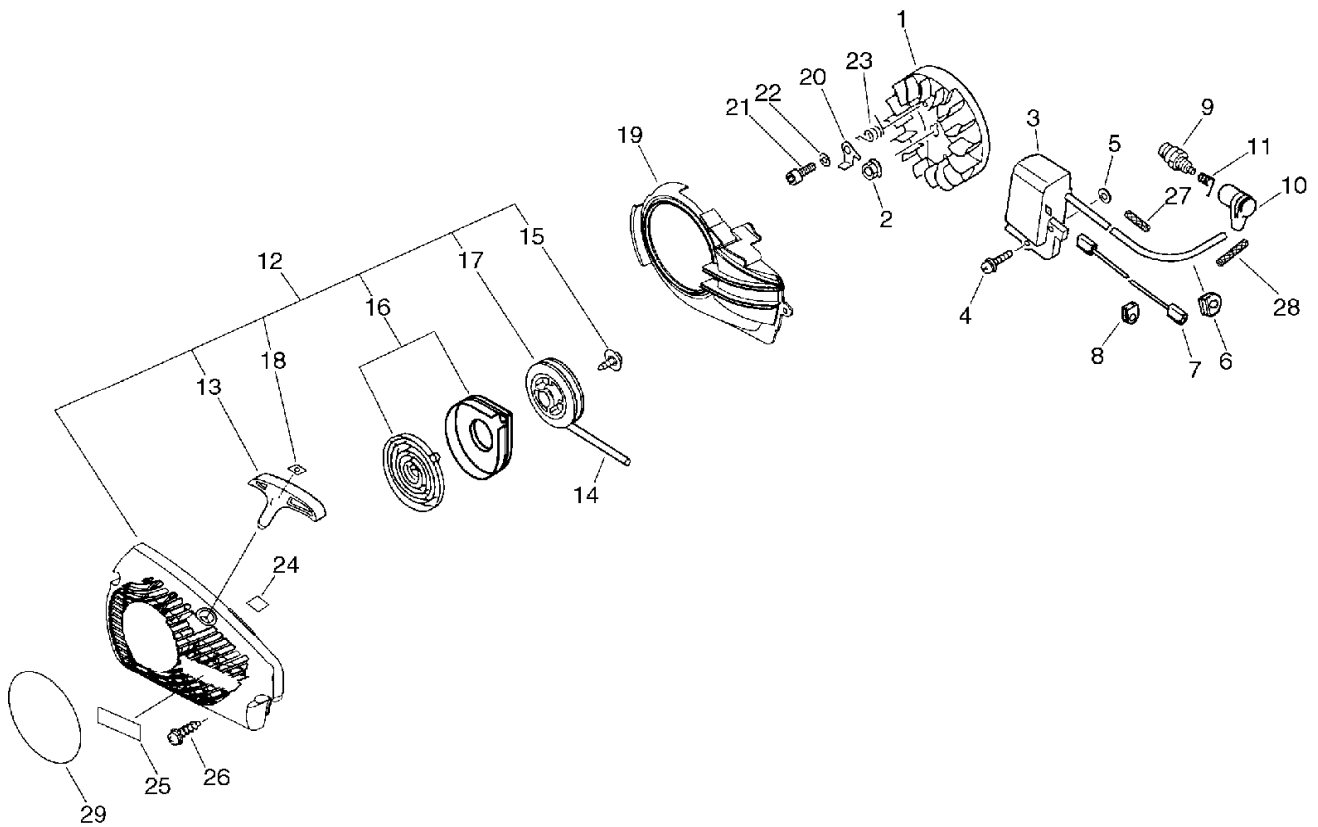
KEY	LV	PART NUMBER	Q'TY	DESCRIPTION	REMARKS	NOTE1	NOTE2
10		129010-33330	1	GROMMET		Sr/Nr 35049494 and before	
11		A244-000000	1	PLATE,PREVENT			
12		A226-000050	1	ELEMENT,AIR FILTER			
13		A232-000060	1	LID,CLEANER		Sus. by A232- 000061	
13		A232-000061	1	LID,CLEANER			
14		A235-000040	1	KNOB,CLEANER LID			
15		X503-001520	1	LABEL,MODEL	CS-2600		

3. Starter, Magneto(Sr/Nr 36005537 and before)



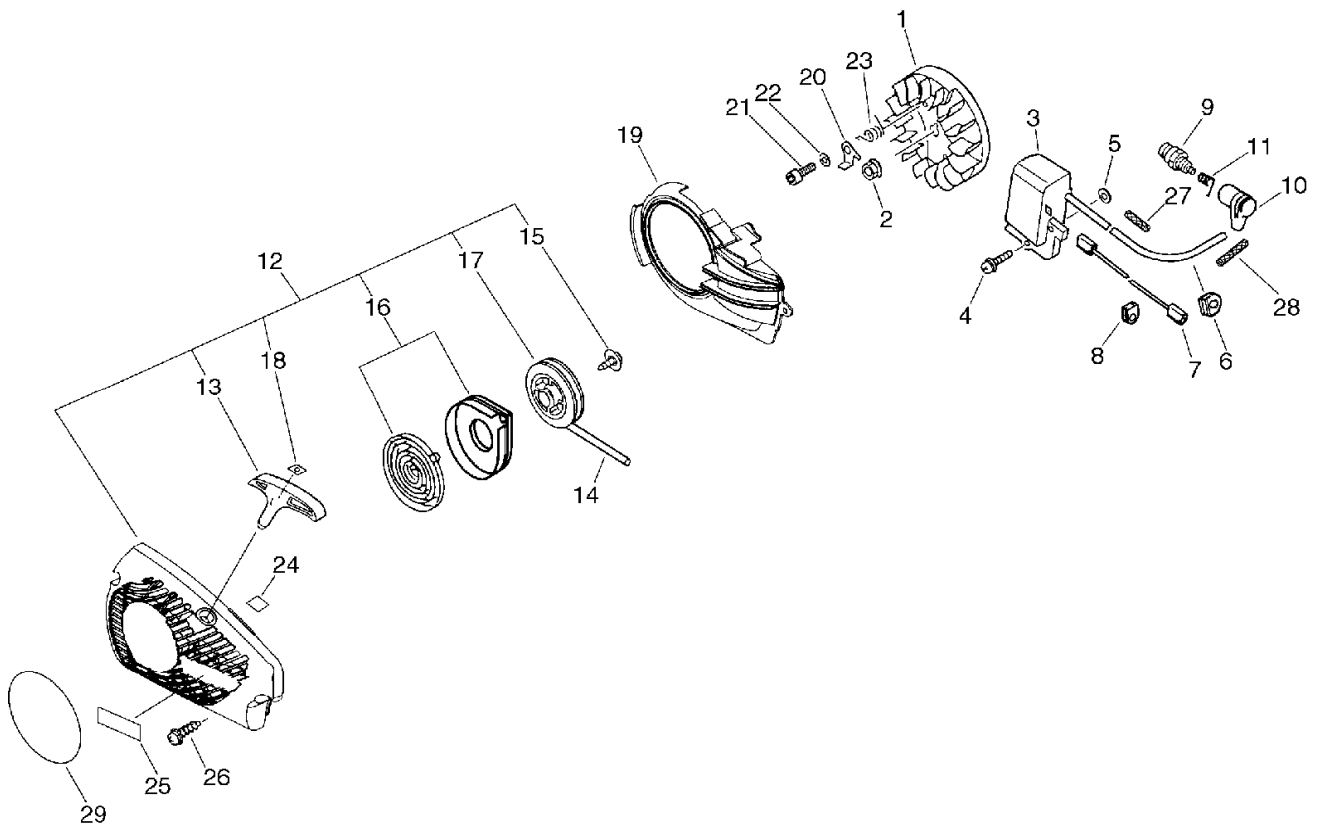
KEY	LV	PART NUMBER	Q'TY	DESCRIPTION	REMARKS	NOTE1	NOTE2
1		A409-000040	1	ROTOR,MAGNETO			
2		900515-00008	1	NUT, FLANGE 8	8		
3		A411-000040	1	COIL,IGNITION			
4		900238-05022	2	SCREW 5*22	5*22		
5		150117-16430	2	SPACER			
6		156110-04920	1	BUSHING			
7		V485-000140	1	LEAD			
8		156114-07320	1	GROMMET			
9		159010-10230	1	PLUG, SPARK (BPMR-7A	BPMR-7A		
10		159012-01620	1	CAP, SPARK PLUG		Sr/Nr 023700 and before	
10		A427-000010	1	CAP, SPARK PLUG		Sus. by A427-000012	
10		A427-000011	1	CAP, SPARK PLUG		Sus. by A427-000012	
10		A427-000012	1	CAP, SPARK PLUG		Sr/Nr 023701 and after, Sus. by A427-000013	
11		159011-03432	1	COIL, SPARK PLUG		Sr/Nr 023700 and before	
11		A426-000010	1	TERMINAL, SPARK PLUG		Sr/Nr 023701 and after	
12		A051-000030	1	STARTER, RECOIL		Sus. by A051-000031	
13	+	P022-001320	1	GRIP, STARTER			

3. Starter, Magneto(Sr/Nr 36005537 and before)



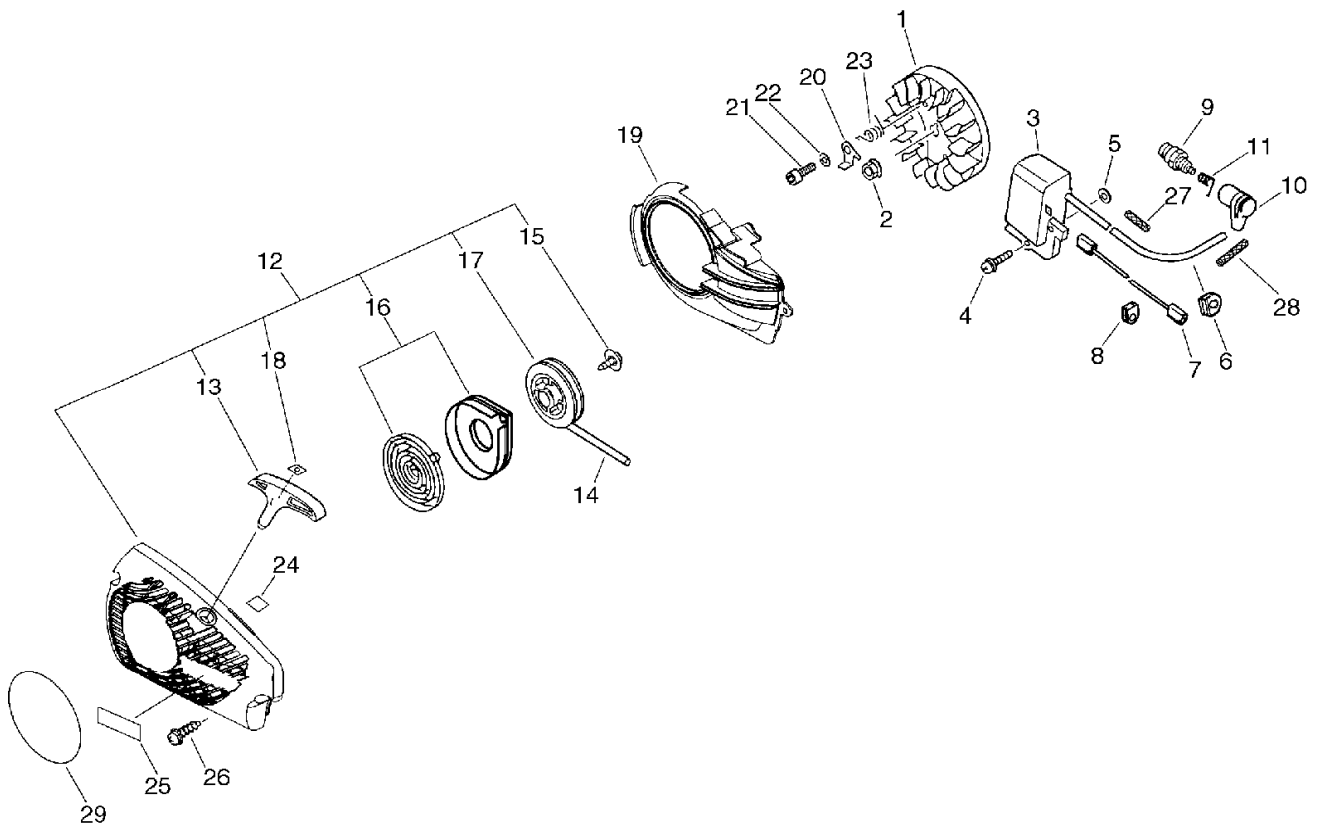
KEY	LV	PART NUMBER	Q'TY	DESCRIPTION	REMARKS	NOTE1	NOTE2
14	+	177226-60930	1	ROPE, STARTER	3*890		
15	+	177236-44330	1	SCREW			
16	+	P022-001330	1	SPRING KIT, REWIND			
17	+	177215-60930	1	DRUM, STARTER			
18	+	P022-001350	1	STOPPER, ROPE			
19		A172-000110	1	COVER,FAN		Sus. by A172-000112	
19		A172-000111	1	COVER,FAN		Sus. by A172-000112	
19		A172-000112	1	COVER,FAN			
20		A514-000000	2	PAWL			
21		900216-05016	2	SCREW, 5*16	5*16	Sus. by V203-000100 and 900603-00005	
21		900105-05016	2	BOLT, H.S. 5*16	5*16	Sus. by V203-000100 and 900603-00005	
21		V203-000100	2	BOLT,5	M5*16		
22		900603-00005	2	WASHER 5	5.5*12*0.8		
23		V452-000030	2	SPRING,TORSION			
24		890631-38230	1	LABEL, CAUTION			
25		X502-000020	1	LABEL,ECHO		Sus. by X502-000340	
26		900256-04016	3	SCREW 4*16	4*16		
27		V475-001900	1	TUBE	7*8.6*30		

3. Starter, Magneto(Sr/Nr 36005537 and before)



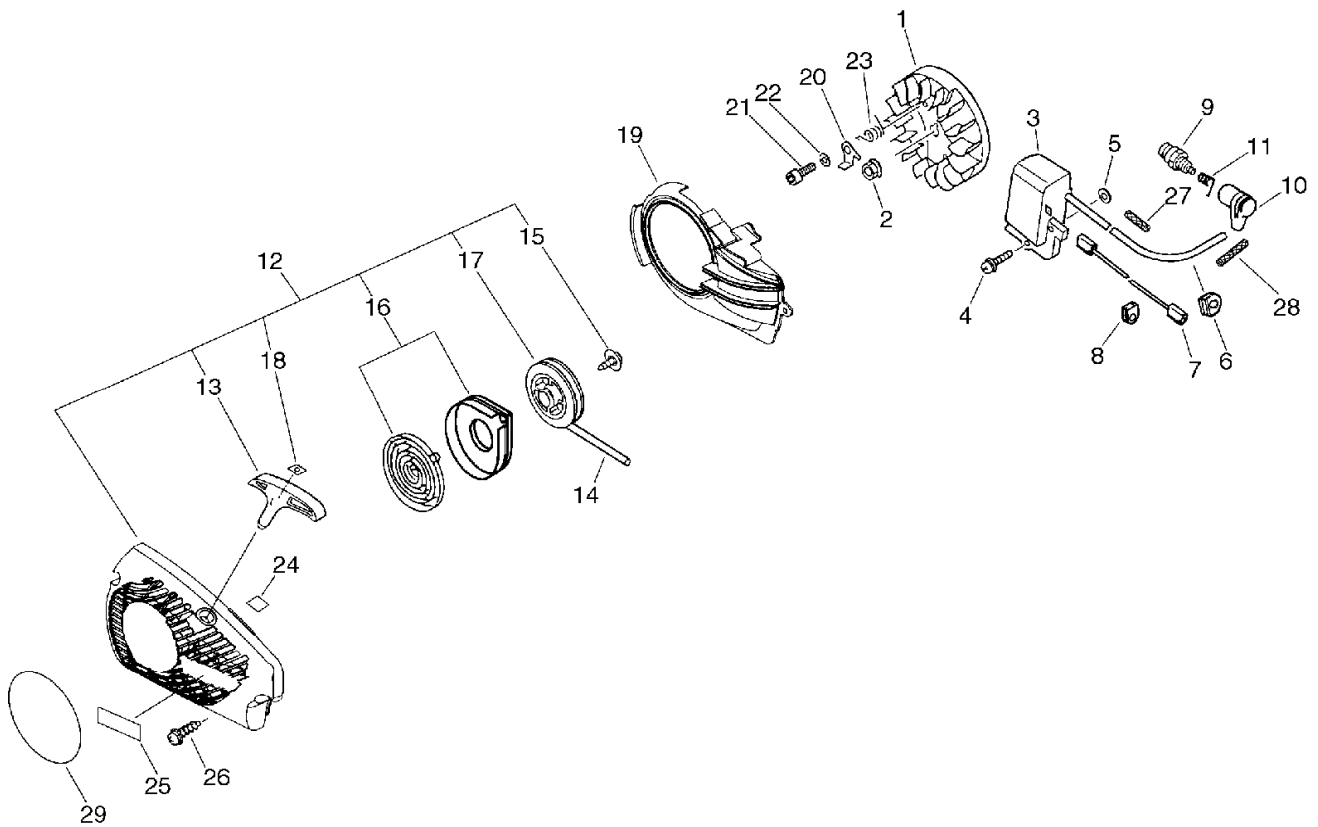
KEY	LV	PART NUMBER	Q'TY	DESCRIPTION	REMARKS	NOTE1	NOTE2
28		V475-003550	1	TUBE	HST-10 7*8.6*50	Sr/Nr 36001531 and after	

4. Starter, Magneto(Sr/Nr 36005538 and after)



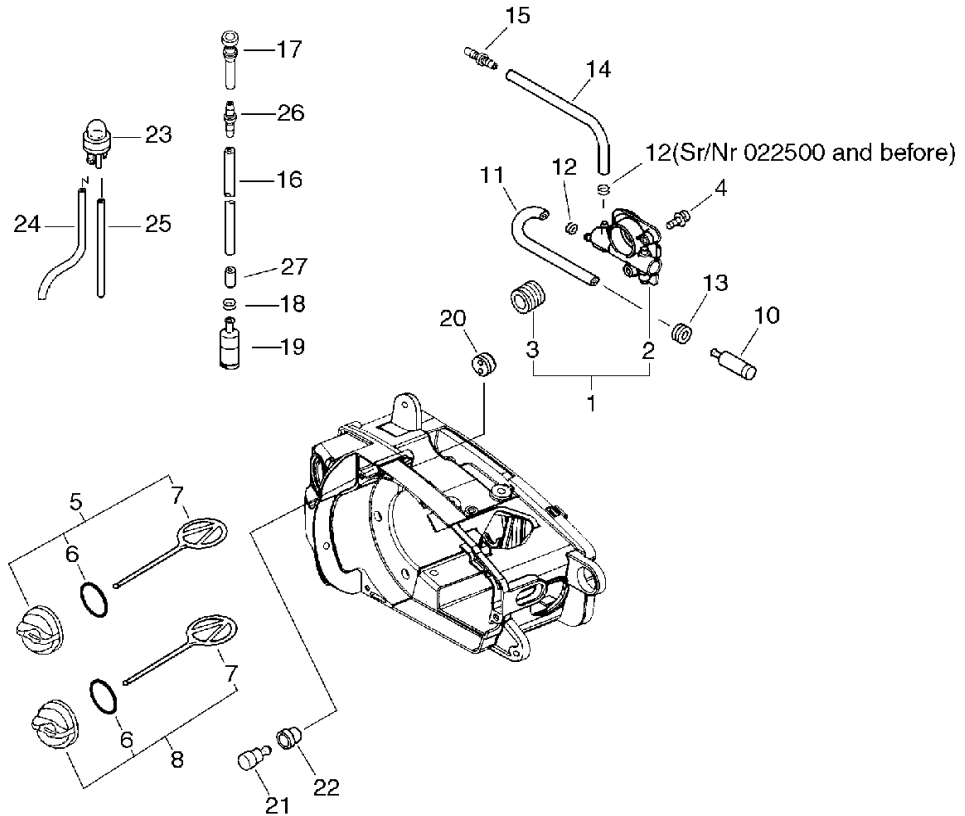
KEY	LV	PART NUMBER	Q'TY	DESCRIPTION	REMARKS	NOTE1	NOTE2
1		A409-000040	1	ROTOR,MAGNETO			
2		900515-00008	1	NUT, FLANGE 8	8		
3		A411-000040	1	COIL,IGNITION			
4		900238-05022	2	SCREW 5*22	5*22		
5		150117-16430	2	SPACER			
6		156110-04920	1	BUSHING			
7		V485-000140	1	LEAD			
8		156114-07320	1	GROMMET			
9		159010-10230	1	PLUG, SPARK (BPMR-7A	BPMR-7A		
10		A427-000012	1	CAP,SPARK PLUG			
11		A426-000010	1	TERMINAL,SPARKPLUG			
12		A051-000031	1	STARTER,RECOIL			
13	+	P022-001320	1	GRIP, STARTER			
14	+	177226-60930	1	ROPE, STARTER	3*890		
15	+	177236-44330	1	SCREW			
16	+	P022-001330	1	SPRING KIT, REWIND			
17	+	177215-60930	1	DRUM, STARTER			
18	+	P022-001350	1	STOPPER, ROPE			
19		A172-000112	1	COVER,FAN			
20		A514-000000	2	PAWL			
21		V203-000100	2	BOLT,5	M5*16		
22		900603-00005	2	WASHER 5	5.5*12*0.8		
23		V452-000030	2	SPRING,TORSION			
24		890631-38230	1	LABEL, CAUTION			
25		X502-000020	1	LABEL,ECHO		Sus. by X502-000340	

4. Starter, Magneto(Sr/Nr 36005538 and after)



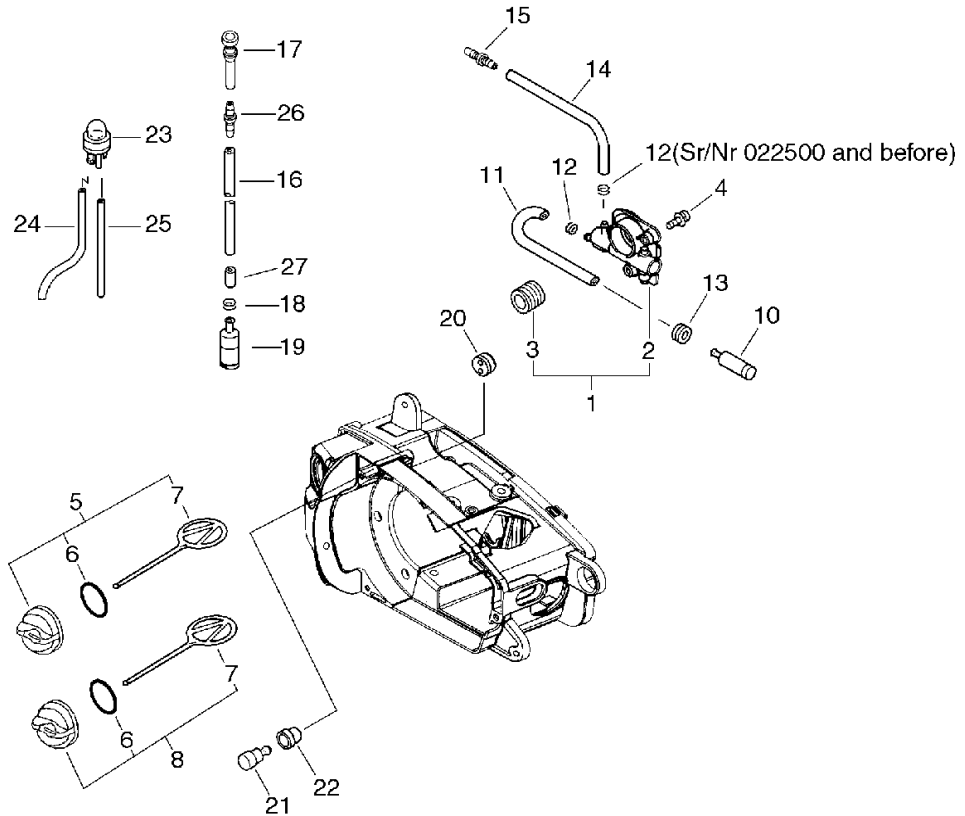
KEY	LV	PART NUMBER	Q'TY	DESCRIPTION	REMARKS	NOTE1	NOTE2
25		X502-000340	1	LABEL,ECHO	ECHO(WHITE)		
26		900256-04016	3	SCREW 4*16	4*16		
27		V475-001900	1	TUBE	7*8,6*30		
28		V475-003550	1	TUBE	HST-10 7*8.6*50		
29		890118-49330	1	LABEL, ECHO		Sus. by X502-000410	
29		X502-000410	1	LABEL,ECHO			

5. Auto-Oiler



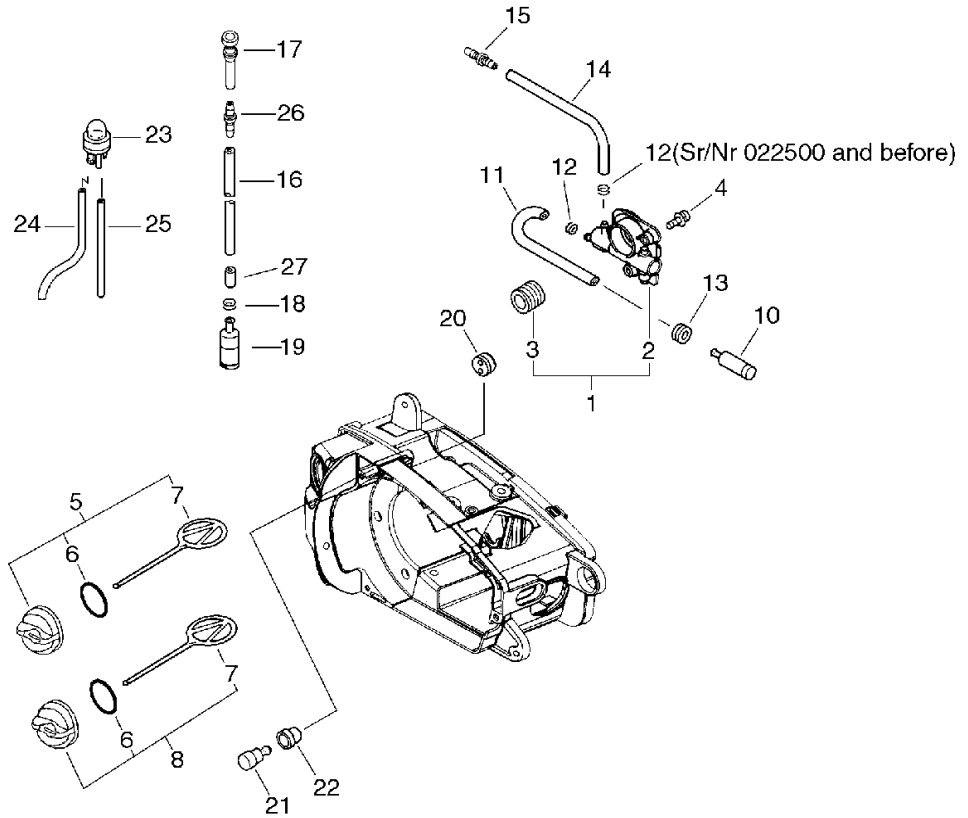
KEY	LV	PART NUMBER	Q'TY	DESCRIPTION	REMARKS	NOTE1	NOTE2
1		P021-001980	1	AUTO-OILER ASY			
2	+	C022-000000	1	OILER,ASM AUTO			
3	+	V652-000010	1	GEAR,WORM			
4		900238-04012	2	SCREW 4*12	4*12		
5		P021-001990	1	FUEL CAP ASY		Sus. by P021-005591	
5		P021-001991	1	FUEL CAP ASY		Sus. by P021-005591	
5		P021-005590	1	FUEL CAP ASY		Sus. by P021-005591	
5		P021-005591	1	CAP ASY			
6	+	900720-00018	1	O-RING 18	P-18		
7	+	131051-19830	1	LINK	60L	Sus. by A365-000050	
7	+	A365-000050	1	CONNECTOR,CAP			
8		P021-002000	1	OIL CAP ASY		Sus. by P021-005581	
8		P021-002001	1	OIL CAP ASY		Sus. by P021-005581	
8		P021-005580	1	OIL CAP ASY		Sus. by P021-005581	
8		P021-005581	1	OIL CAP ASY			
6	+	900720-00018	1	O-RING 18	P-18		
7	+	131051-19830	1	LINK	60L	Sus. by A365-000050	
7	+	A365-000050	1	CONNECTOR,CAP			

5. Auto-Oiler



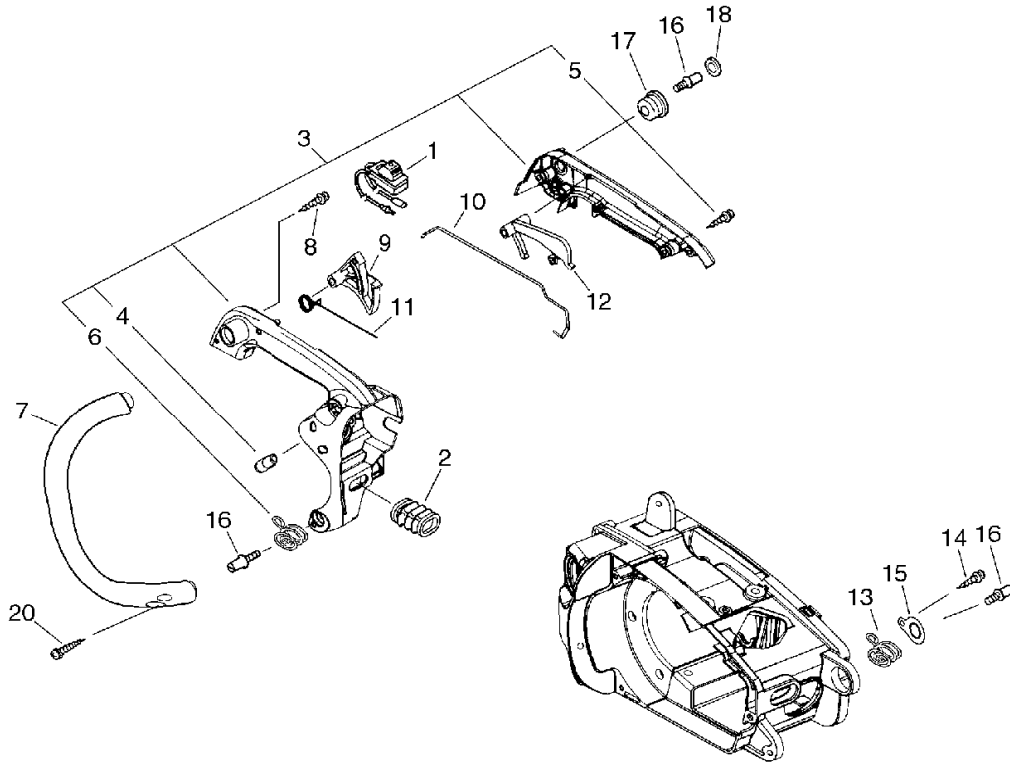
KEY	LV	PART NUMBER	Q'TY	DESCRIPTION	REMARKS	NOTE1	NOTE2
10		436205-02832	1	STRAINER, OIL			
11		132010-22130	1	PIPE, FUEL	3*6*150L NBR		
12		132013-26630	2	CLIP	6.5MM	Sr/Nr 022500 and before	
12		132013-26630	1	CLIP	6.5MM	Sr/Nr 022501 and after	
13		132115-01461	1	GROMMET		Sr/Nr 36003010 and before	
14		132012-11960	1	PIPE 3* 6* 45	3*6*45 NBR		
15		V187-000010	1	NIPPLE			
16		132010-11520	1	PIPE, 3*5*210	3*5*210 NBR	Sus. by V471-001230	
16		V471-001230	1	PIPE	3*5*210 NBR		
17		V470-000320	1	PIPE			
18		132013-09820	1	CLIP	6MM		
19		131205-14930	1	STRAINER,FUEL			
20		132115-44330	1	GROMMET			
21		131300-56430	1	VALVE, CHECK			
22		V137-000000	1	GROMMET,FUEL			
23		123181-39130	1	PUMP, PRIMER			
24		132010-00760	1	PIPE, FUEL	3*5*250L	Sus. by V471-001250	
24		V471-001250	1	PIPE	2.4*5*250		
25		132010-04920	1	PIPE, FUEL	3*5*150L NBR	Sus. by V471-001260	

5. Auto-Oiler



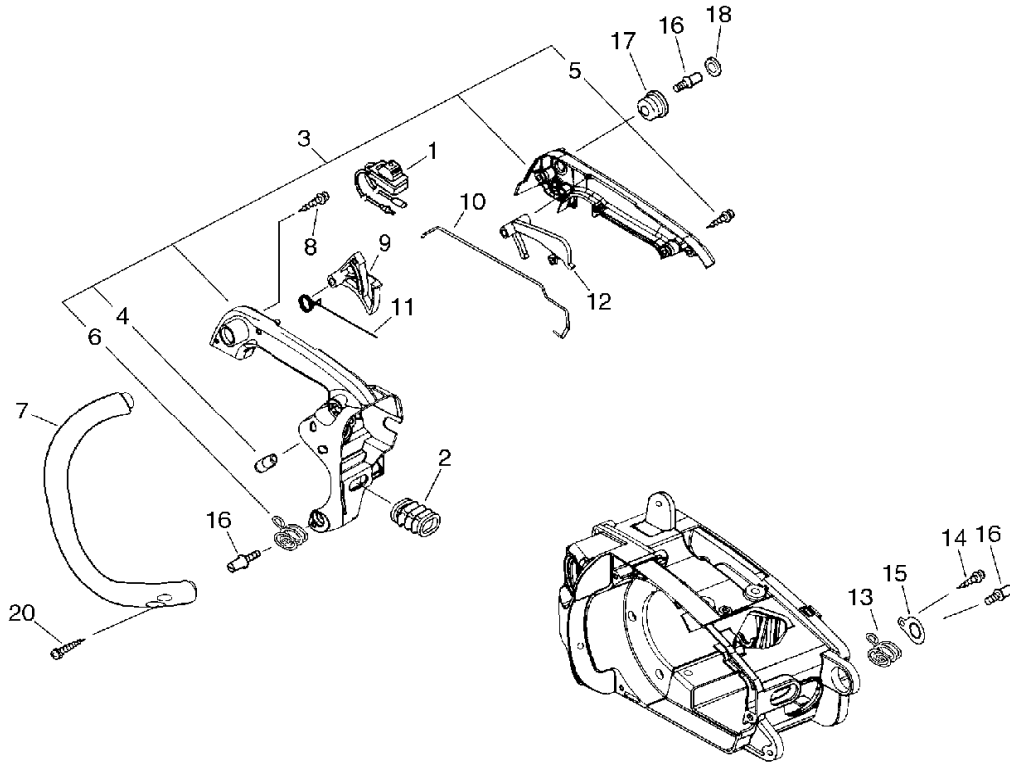
KEY	LV	PART NUMBER	Q'TY	DESCRIPTION	REMARKS	NOTE1	NOTE2
25		V471-000310	1	PIPE		Sus. by V471-001260	
25		V471-001260	1	PIPE	2.4*5*150		
26		V186-000020	1	JOINT,PIPE			
27		132001-15030	1	VALVE, CHECK		Disuse	

6. Handle



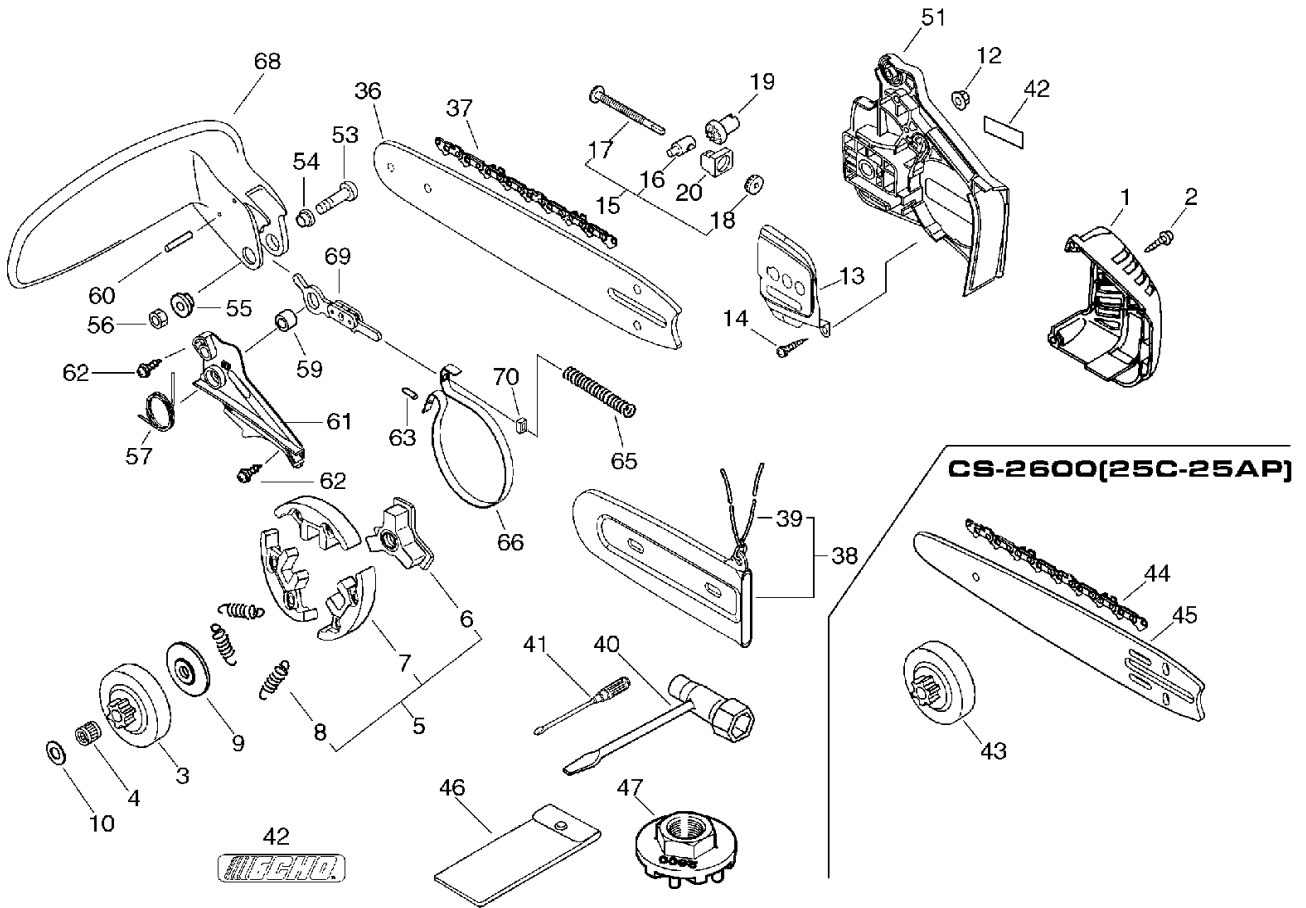
KEY	LV	PART NUMBER	Q'TY	DESCRIPTION	REMARKS	NOTE1	NOTE2
1		A440-000210	1	SWITCH,ON OFF		Sus. by A440-000211	
2		A239-000000	1	PIPE,INTAKE			
3		P021-001960	1	HANDLE SET, REAR		Sus. by P021-001963	
3		P021-001961	1	HANDLE SET, REAR		Sus. by P021-001963	
3		P021-001962	1	HANDLE SET, REAR		Sus. by P021-001963	
3		P021-001963	1	HANDLE SET, REAR			
4	+	130020-33330	2	NUT			
5	+	900256-04016	4	SCREW 4*16	4*16		
6	+	V450-000340	1	SPRING,COMPRESSION	ES	Can be used on the P021-001961 only	
7		C400-000050	1	HANDLE,FRONT			
8		900253-05020	1	SCREW 5*20	5*20		
9		C450-000010	1	TRIGGER,THROTTLE			
10		C454-000050	1	ROD,THROTTLE			
11		V452-000010	1	SPRING,TORSION			
12		C460-000000	1	LOCKOUT,THROTTLE		Sus. byC460-000002	
12		C460-000001	1	LOCKOUT,THROTTLE		Sus. byC460-000002	
12		C460-000002	1	LOCKOUT,THROTTLE			

6. Handle



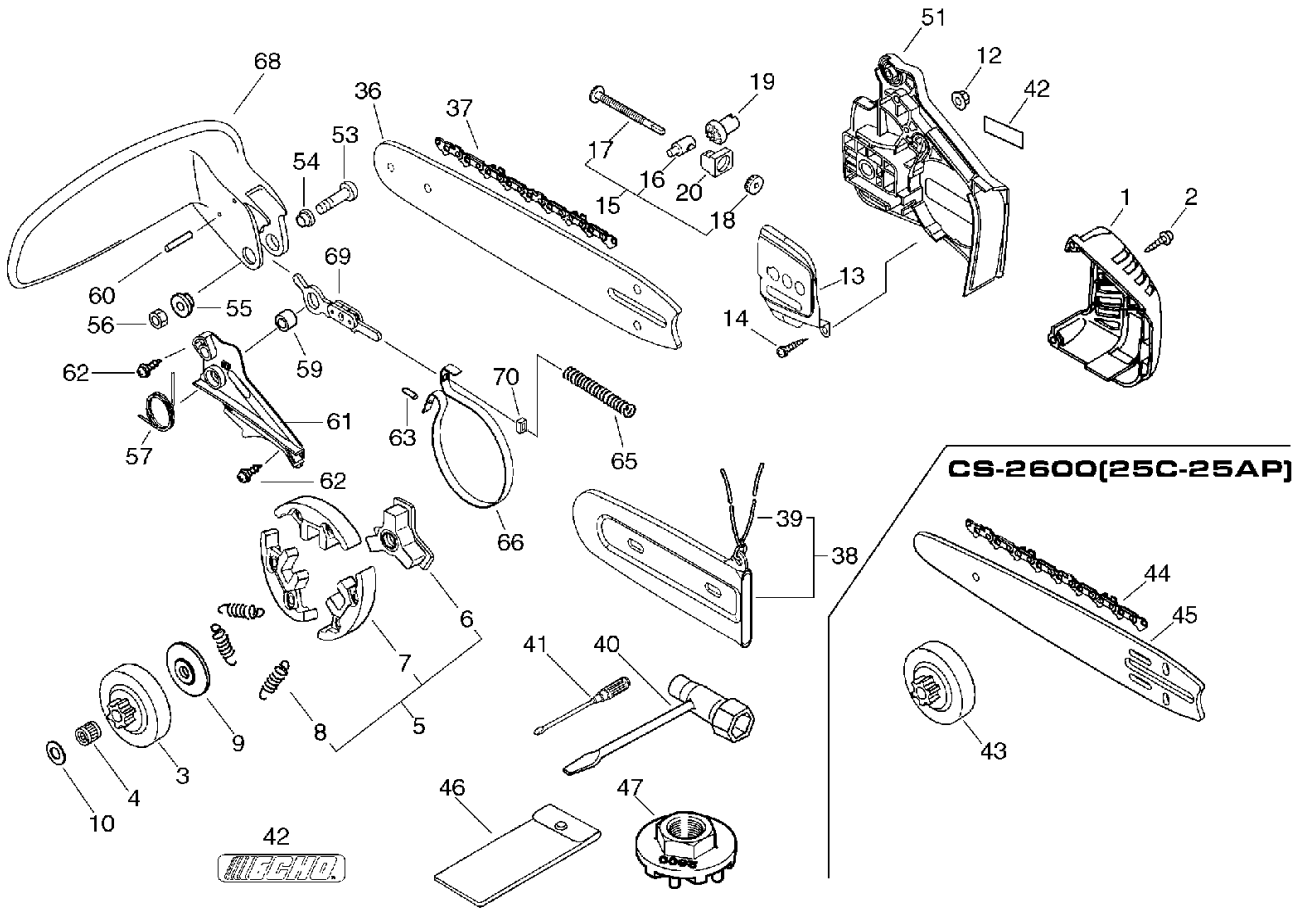
KEY	LV	PART NUMBER	Q'TY	DESCRIPTION	REMARKS	NOTE1	NOTE2
13		V450-000080	2	SPRING,COMPRESSION		Sr/Nr 35034730 and before	
13		V450-000080	1	SPRING,COMPRESSION		Sr/Nr 35034731and after	
14		900253-04012	1	SCREW	4*12		
15		V150-000420	1	PLATE,EYE			
16		V202-000000	3	BOLT,4			
17		100910-18830	1	CUSHION		Sus. by 100910- 18831	
17		100910-18831	1	CUSHION			
18		100918-15130	1	CAP			
20		900253-04016	2	SCREW 4*16	4*16	Sus. by 900256- 04016	
20		900256-04016	4	SCREW 4*16	4*16		

7. Clutch, Sprocket, Tools(Sr/Nr 36005537 and before)



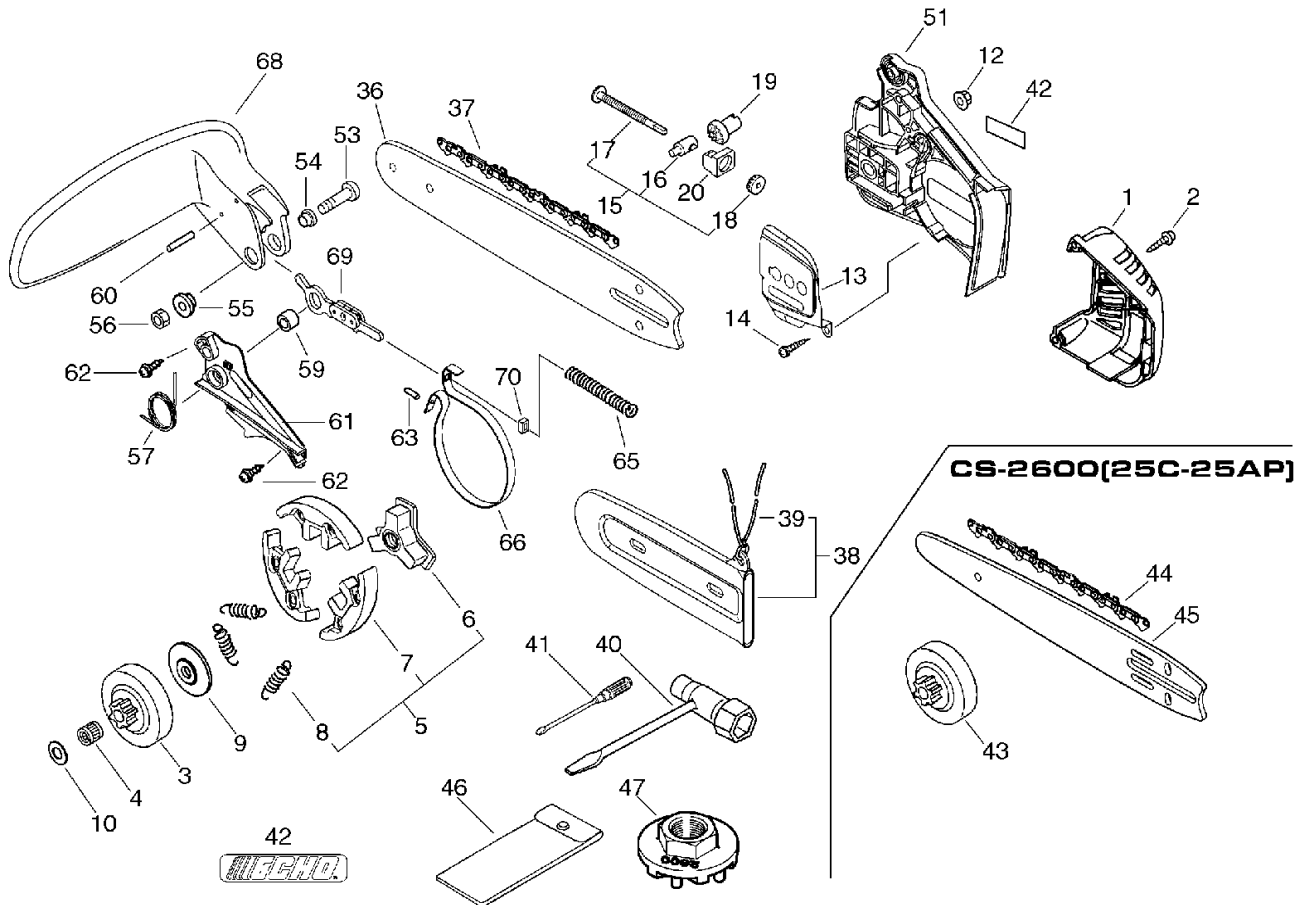
KEY	LV	PART NUMBER	Q'TY	DESCRIPTION	REMARKS	NOTE1	NOTE2
1		A320-000020	1	COVER,MUFFLER		Sus. by A320-000021	
1		A320-000021	1	COVER,MUFFLER		Sus. by A320-000022	
2		900253-04016	2	SCREW 4*16	4*16		
3		A556-000090	1	DRUM,CLUTCH		Sus. by A556-000091	
3		A556-000091	1	DRUM,CLUTCH	3/8A	3/8	
4		175012-35630	1	BEARING, NEEDLE	10*13*10		
5		A056-000030	1	CLUTCH			
6	+	A552-000020	1	HUB,CLUTCH			
7	+	P021-001950	1	CLUTCH SHOE SET			
8	+	V451-000150	3	SPRING,TENSION			
9		A551-000010	1	PLATE,CLUTCH			
10		175014-39130	1	WASHER, CLUTCH	10.2*25*1.2	Sus. by 175014-39131	
10		175014-39131	1	WASHER, CLUTCH	10.2*24.5*1.2		
12		433019-12330	1	NUT, FLANGE 8	M-8		
13		C305-000030	1	PLATE,SPROCKET GUARD		Sus. by C305-000031	
13		C305-000031	1	PLATE,SPROCKET GUARD			
14		900253-04010	1	SCREW 4*10	4*10		
15		P021-000060	1	TENSIONER,CHAIN ASY		Sus. by P021-000063	

7. Clutch, Sprocket, Tools(Sr/Nr 36005537 and before)



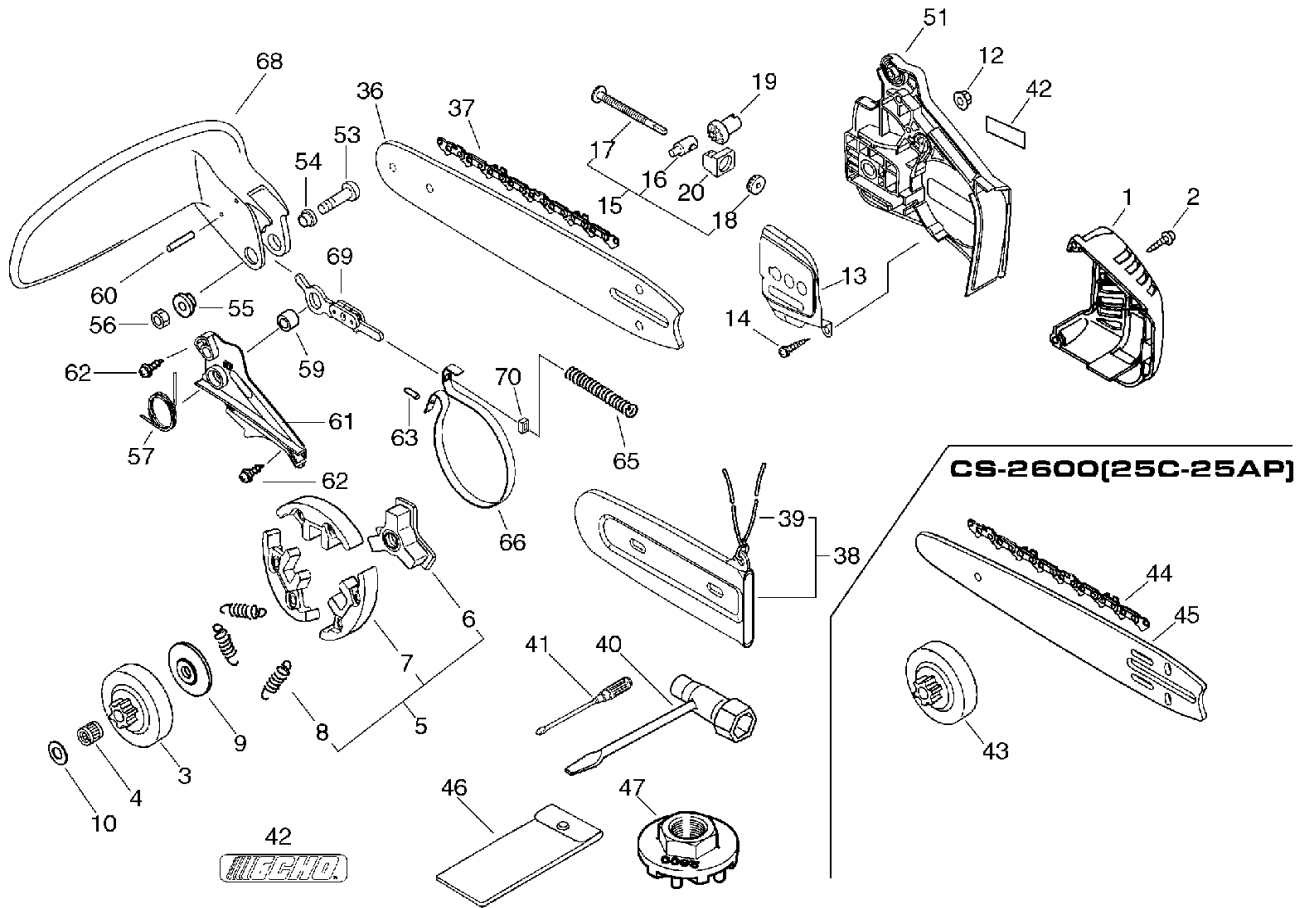
KEY	LV	PART NUMBER	Q'TY	DESCRIPTION	REMARKS	NOTE1	NOTE2
15		P021-000061	1	TENSIONER,CHAIN ASY		Sus. by P021-000063	
15		P021-000062	1	TENSIONER,CHAIN ASY		Sus. by P021-000063	
15		P021-000063	1	TENSIONER,CHAIN ASY			
16	+	433014-60930	1	TENSIONER, CHAIN		Sus. by C309-000030	
16	+	C309-000030	1	TENSIONER,CHAIN			
17	+	V203-000020	1	BOLT,5		Sus. by V203-000021	
17	+	V203-000021	1	BOLT,5			
18	+	V651-000010	1	GEAR,BEVEL		Sus. by V651-000011	
18	+	V651-000011	1	GEAR,BEVEL			
19		V651-000000	1	GEAR,BEVEL		Sus. by V651-000001	
19		V651-000001	1	GEAR,BEVEL			
20		V355-000030	1	COLLAR,8		Sus. by V355-000270	
20		V355-000270	1	COLLAR,8			
36		X121-000000	1	BAR,GUIDE25RC50S-3/8	25RC50S-3/8	Sus. by X121-000002	
36		X121-000001	1	BAR,GUIDE25RC50S-3/8	25RC50S-3/8	Sus. by X121-000002	
36		X121-000002	1	BAR,GUIDE25RC50S-3/8	25RC50S-3/8	25RC50S-3/8	
37		X221-000000	1	CHAIN,SAW	91VG-40E	91VG-40E	

7. Clutch, Sprocket, Tools(Sr/Nr 36005537 and before)



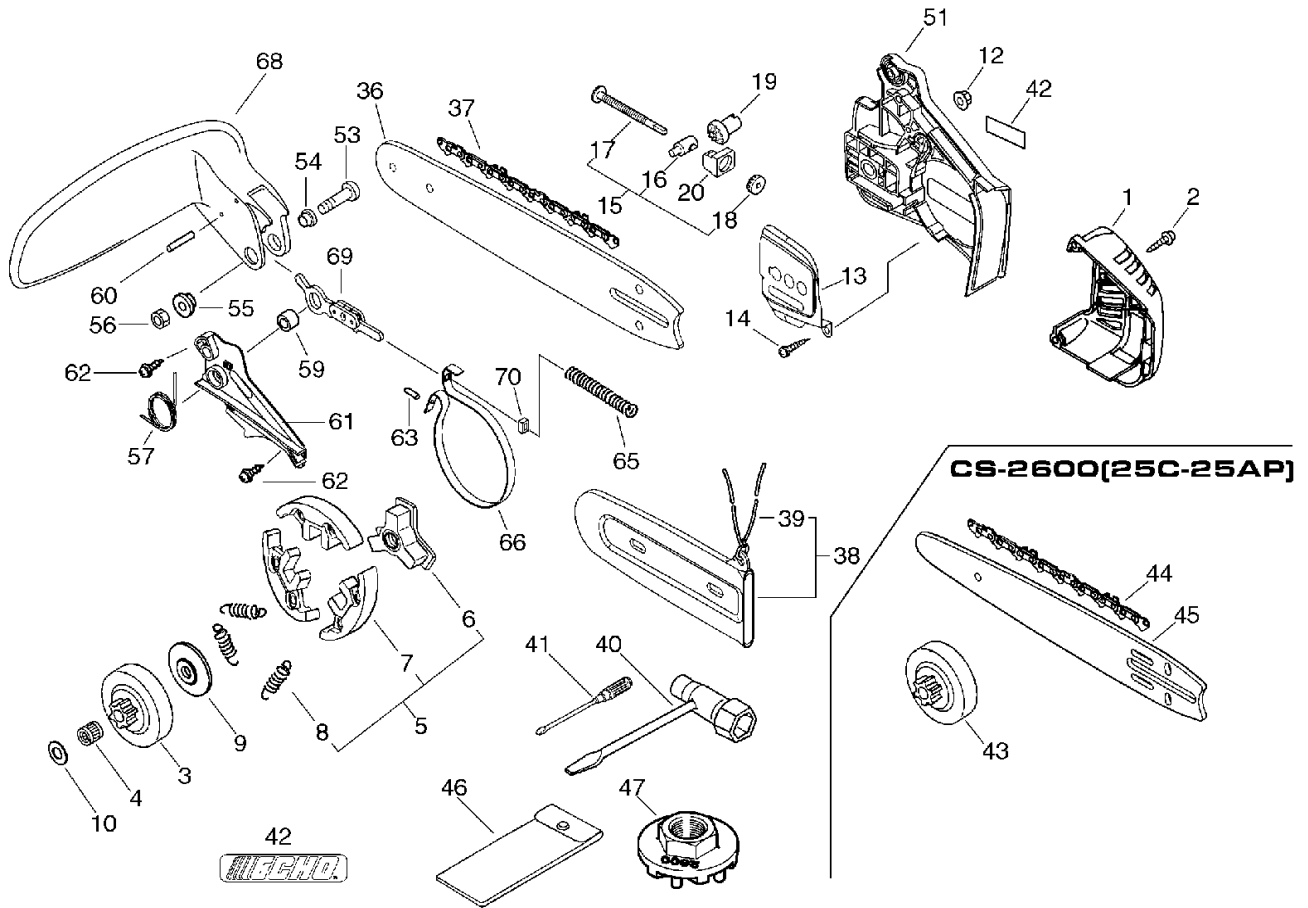
KEY	LV	PART NUMBER	Q'TY	DESCRIPTION	REMARKS	NOTE1	NOTE2
38		P021-002010	1	CHAIN SCABBARD			
39	+	898568-14530	1	ROPE	5*900		
40		895410-02830	1	WRENCH, W/S. DRIVER			
41		895812-03930	1	DRIVER, SCREW 50			
42		X502-000020	1	LABEL,ECHO		Sus. by X502-000340	
43		A556-000100	1	DRUM,CLUTCH		Sus. by A556-000101	
43		A556-000101	1	DRUM,CLUTCH	1/4A	1/4	
44		431610-10030	1	CHAIN, SAW	25AP-60E	25AP-60E	
45		X101-000010	1	BAR,GUIDE 25C50SL	25C50SL ECHO	25C50SL	
46		898510-39130	1	BAG, TOOL			
47		X640-000010	1	TOOL,PULLER			

8. Clutch, Sprocket, Tools(Sr/Nr 36005538 and after)



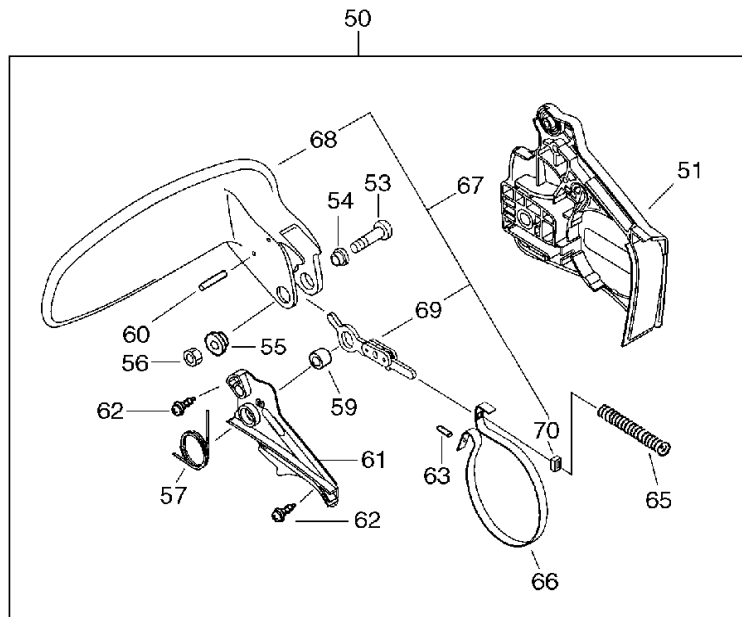
KEY	LV	PART NUMBER	Q'TY	DESCRIPTION	REMARKS	NOTE1	NOTE2
1		A320-000021	1	COVER,MUFFLER			
2		900253-04016	2	SCREW 4*16	4*16		
3		A556-000091	1	DRUM,CLUTCH	3/8A		
4		175012-35630	1	BEARING, NEEDLE	10*13*10		
5		A056-000030	1	CLUTCH			
6	+	A552-000020	1	HUB,CLUTCH			
7	+	P021-001950	1	CLUTCH SHOE SET			
8	+	V451-000150	3	SPRING,TENSION			
9		A551-000010	1	PLATE,CLUTCH			
10		175014-39131	1	WASHER, CLUTCH	10.2*24.5*1.2		
12		433019-12330	1	NUT, FLANGE 8	M-8		
13		C305-000031	1	PLATE, SPROCKET GUARD			
14		900253-04010	1	SCREW 4*10	4*10		
15		P021-000063	1	TENSIONER,CHAIN ASY			
16	+	C309-000030	1	TENSIONER,CHAIN			
17	+	V203-000021	1	BOLT,5			
18	+	V651-000011	1	GEAR,BEVEL			
19		V651-000001	1	GEAR,BEVEL			
20		V355-000270	1	COLLAR,8			
36		X121-000002	1	BAR,GUIDE25RC50S-3/8	25RC50S-3/8		
37		X221-000000	1	CHAIN,SAW	91VG-40E		
38		P021-002010	1	CHAIN SCABBARD			
39	+	898568-14530	1	ROPE	5*900		
40		895410-02830	1	WRENCH, W/S. DRIVER			
41		895812-03930	1	DRIVER, SCREW 50			

8. Clutch, Sprocket, Tools(Sr/Nr 36005538 and after)



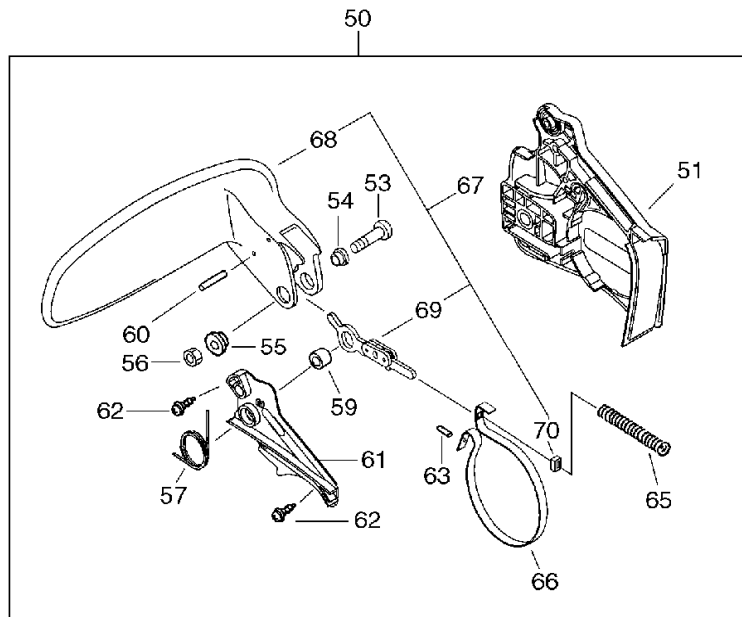
KEY	LV	PART NUMBER	Q'TY	DESCRIPTION	REMARKS	NOTE1	NOTE2
42		X502-000020	1	LABEL,ECHO		Sus. by X502-000340	
42		X502-000340	1	LABEL,ECHO	ECHO(WHITE)		
43		A556-000101	1	DRUM,CLUTCH	1/4A		
44		431610-10030	1	CHAIN, SAW	25AP-60E		
45		X101-000010	1	BAR,GUIDE 25C50SL	25C50SL ECHO		
46		898510-39130	1	BAG, TOOL			
47		X640-000010	1	TOOL,PULLER			
51		C300-000170	1	GUARD,SPROCKET			
53		91318-05032	1	SCREW	5*32		
54		433167-39130	1	SPACER			
55		V353-000060	1	COLLAR,5			
56		900562-50005	1	LOCKNUT 5	5		
57		V452-000110	1	SPRING,TORSION			
59		433116-35430	1	SPACER 8	8*12*9		
60		900330-30260	2	ROLLER 3*26	3*26		
61		C345-000112	1	COVER,BRAKE			
62		900253-04012	2	SCREW	4*12		
63		93050-30098	1	ROLLER	F3*9.8		
65		V450-000070	1	SPRING,COMPRESSION			
66		C328-000020	1	BAND,BRAKE			
68		C320-000032	1	LEVER,BRAKE		Sus. by C320-000033	
68		C320-000033	1	LEVER,BRAKE			
69		C334-000070	1	CONNECTOR,BRAKE			
70		V376-000450	1	SPACER			

9. Chain Brake (Sr/Nr 36005537 and before)



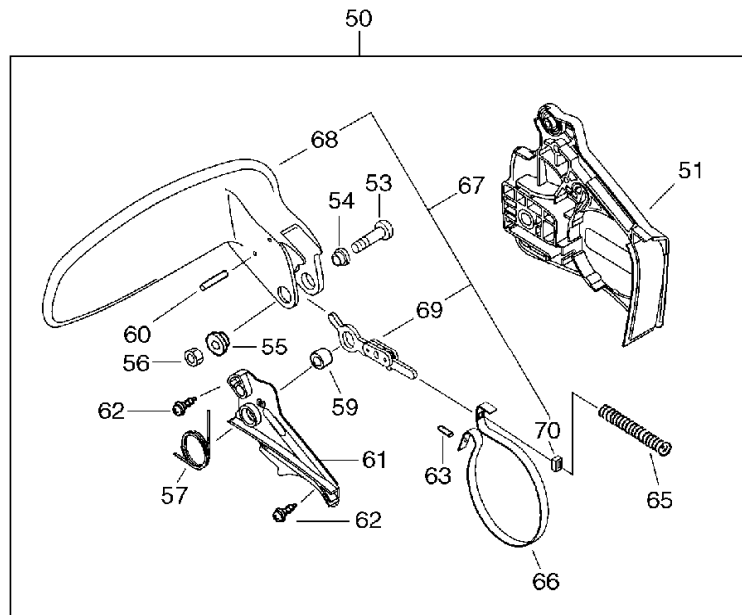
KEY	LV	PART NUMBER	Q'TY	DESCRIPTION	REMARKS	NOTE1	NOTE2
		C032-000040	1	BRAKE,ASM CHAIN		Sus. by C032-000044	
		C032-000041	1	BRAKE,ASM CHAIN		Sus. by C032-000044	
		C032-000042	1	BRAKE,ASM CHAIN		Sus. by C032-000044	
		C032-000043	1	BRAKE,ASM CHAIN		Sus. by C032-000044	
		C032-000044	1	BRAKE,ASM CHAIN		Sr/Nr 35037760 and before	
1	+	C300-000030	1	GUARD,SPROCKET		Sus. by C300-000032	
1	+	C300-000031	1	GUARD,SPROCKET		Sus. by C300-000032	
1	+	C300-000032	1	GUARD,SPROCKET		Sr/Nr 35037760 and before	
2	+	C345-000020	1	COVER,BRAKE		Sr/Nr 35037760 and before	
3	+	900253-04012	2	SCREW	4*12	Sr/Nr 35037760 and before	
4	+	C320-000010	1	LEVER,BRAKE		Sr/Nr 35037760 and before	
5	+	900330-40298	2	PIN 4*29.8	4*29.8	Sr/Nr 35037760 and before	
6	+	91318-05032	1	SCREW	5*32	Sr/Nr 35037760 and before	

9. Chain Brake (Sr/Nr 36005537 and before)



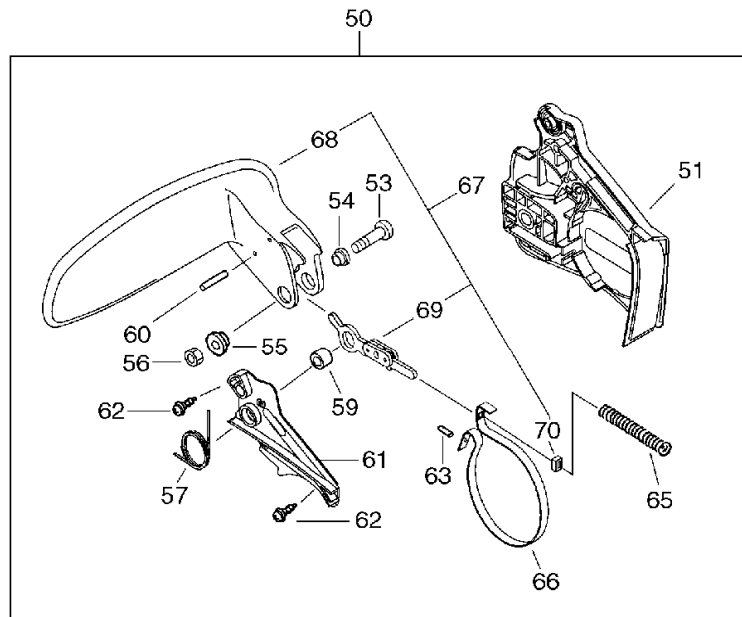
KEY	LV	PART NUMBER	Q'TY	DESCRIPTION	REMARKS	NOTE1	NOTE2
7	+	433167-39130	1	SPACER		Sr/Nr 35037760 and before	
8	+	V353-000060	1	COLLAR,5		Sr/Nr 35037760 and before	
9	+	900560-00005	1	NUT, LOCK 5	5	Sr/Nr 35037760 and before	
10	+	V452-000020	1	SPRING,TORSION		Sr/Nr 35037760 and before	
11	+	C334-000030	1	CONNECTOR,BRAKE		Sr/Nr 35037760 and before	
12	+	433116-35430	1	SPACER 8	8*12*9	Sr/Nr 35037760 and before	
13	+	V450-000070	1	SPRING,COMPRESSION		Sr/Nr 35037760 and before	
14	+	C328-000000	1	BAND,BRAKE		Sus. by C328- 000002	
14	+	C328-000001	1	BAND,BRAKE		Sus. by C328- 000002	
14	+	C328-000002	1	BAND,BRAKE		Sr/Nr 35037760 and before	
15	+	93050-30098	1	ROLLER	F3*9.8	Sr/Nr 35037760 and before	
16	+	V453-000010	1	SPRING,FLAT		Sr/Nr 35037760 and before	
		C032-000160	1	BRAKE,ASM CHAIN		Sus. by C032- 000165	

9. Chain Brake (Sr/Nr 36005537 and before)



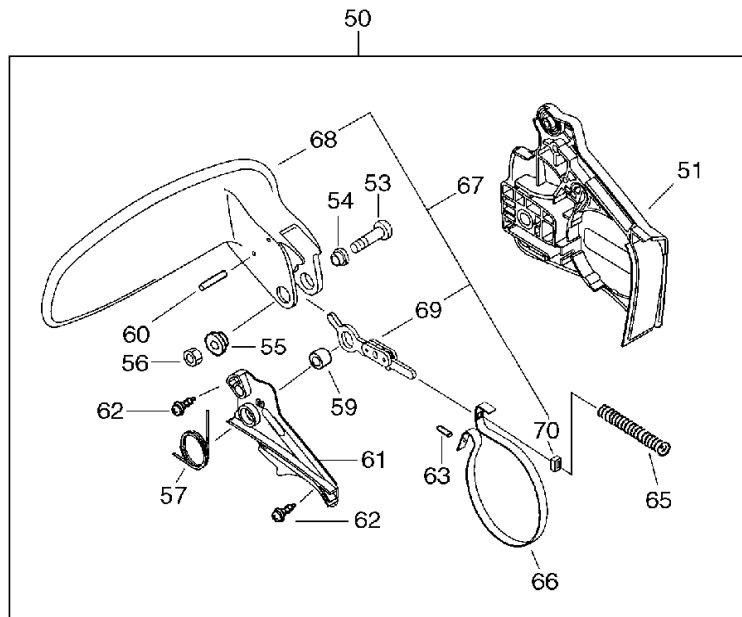
KEY	LV	PART NUMBER	Q'TY	DESCRIPTION	REMARKS	NOTE1	NOTE2
	+	C032-000161	1	BRAKE,ASM CHAIN		Sus. by C032-000165	
	+	C032-000162	1	BRAKE,ASM CHAIN		Sus. by C032-000165	
	+	C032-000163	1	BRAKE,ASM CHAIN		Sus. by C032-000165	
	+	C032-000164	1	BRAKE,ASM CHAIN		Sus. by C032-000165	
	+	C032-000165	1	BRAKE,ASM CHAIN		Sus. by C032-000166	
	+	C032-000166	1	BRAKE,ASM CHAIN		Sus. by C032-000167	
51	+	C300-000170	1	GUARD,SPROCKET		Sr/Nr 35037761 and after	
53	+	91318-05032	1	SCREW	5*32	Sr/Nr 35037761 and after	
54	+	433167-39130	1	SPACER		Sr/Nr 35037761 and after	
55	+	V353-000060	1	COLLAR,5		Sr/Nr 35037761 and after	
56	+	900560-00005	1	NUT, LOCK 5	5	Sus. by 900562-50005	
56	+	900562-50005	1	LOCKNUT 5	5	Sr/Nr 35037761 and after	
57	+	V452-000110	1	SPRING,TORSION		Sr/Nr 35037761 and after	

9. Chain Brake (Sr/Nr 36005537 and before)



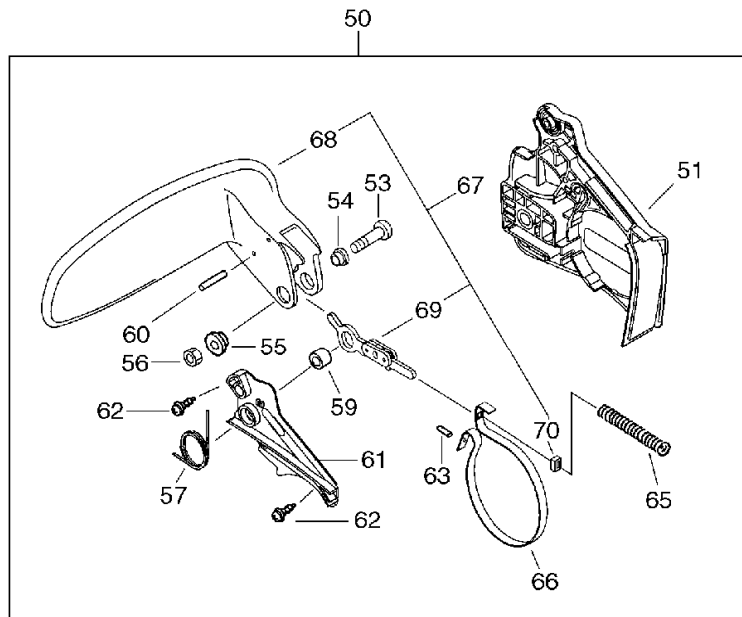
KEY	LV	PART NUMBER	Q'TY	DESCRIPTION	REMARKS	NOTE1	NOTE2
59	+	433116-35430	1	SPACER 8	8*12*9		Sr/Nr 35037761 and after
60	+	900330-30260	2	ROLLER 3*26	3*26		Sr/Nr 35037761 and after
61	+	C345-000110	1	COVER,BRAKE			Sus. by C345-000112
61	+	C345-000111	1	COVER,BRAKE			Sus. by C345-000112
61	+	C345-000112	1	COVER,BRAKE			Sr/Nr 35037761 and after
62	+	900253-04012	2	SCREW	4*12		Sr/Nr 35037761 and after
63	+	93050-30098	1	ROLLER	F3*9.8		Sr/Nr 35037761 and after
65	+	V450-000070	1	SPRING,COMPRESSION			Sr/Nr 35037761 and after
66	+	C328-000020	1	BAND,BRAKE			Sr/Nr 35037761 and after
67	+	P021-007890	1	MAIN PIPE W/LABEL			Sus. by P021-007892
67	+	P021-007891	1	MAIN PIPE W/LABEL			Sus. by P021-007892
67	+	P021-007892	1	BRAKE LEVER KIT			Sr/Nr 35037761 and after
68	+	C320-000030	1	LEVER,BRAKE			Sus. by P021-007891

9. Chain Brake (Sr/Nr 36005537 and before)



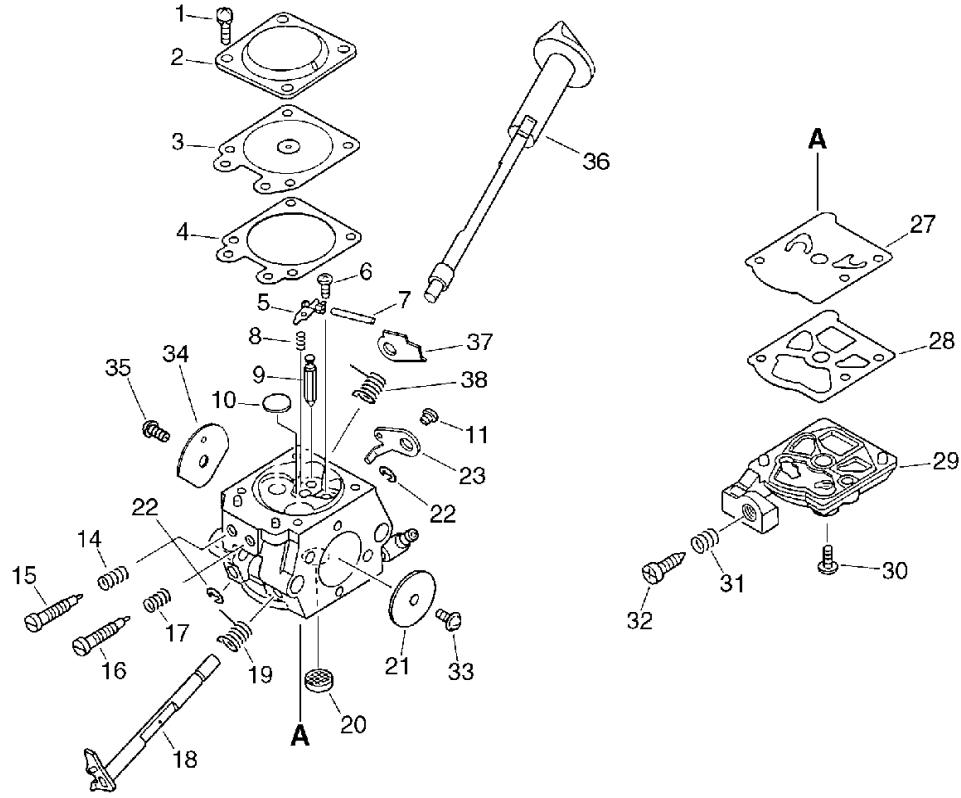
KEY	LV	PART NUMBER	Q'TY	DESCRIPTION	REMARKS	NOTE1	NOTE2
68	++	C320-000031	1	LEVER,BRAKE		Sus. by C320-000032	
68	++	C320-000032	1	LEVER,BRAKE		Sus. by C320-000033	
69	+	C334-000040	1	CONNECTOR,BRAKE		Sr/Nr 35037761 to 35048694	
69	++	C334-000060	1	CONNECTOR,BRAKE		Sus. by C334-000070	
69	++	C334-000070	1	CONNECTOR,BRAKE		Sr/Nr 35048695 and after	
70	+	V376-000450	1	SPACER		Sr/Nr 35037761 to 35048694	
70	++	V376-000540	1	SPACER		Sr/Nr 35048695 to 36001300	
70	++	V376-000450	1	SPACER		Sr/Nr 36001301 and after	

10. Chain Brake (Sr/Nr 36005538 and after)



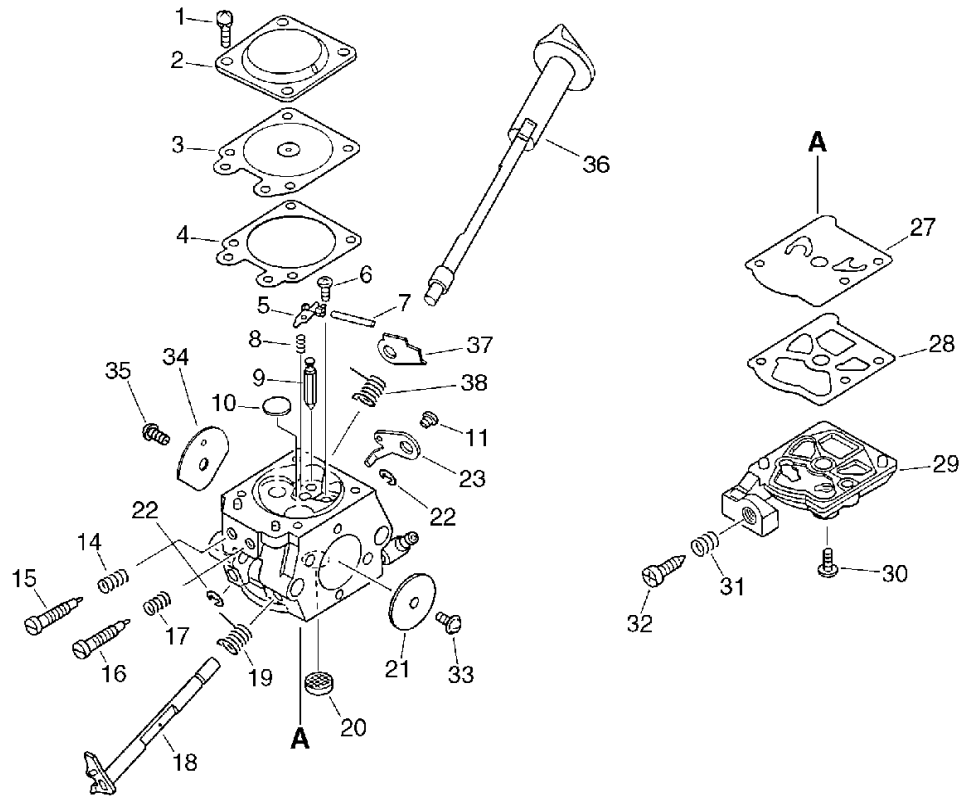
KEY	LV	PART NUMBER	Q'TY	DESCRIPTION	REMARKS	NOTE1	NOTE2
50		C032-000165	1	BRAKE,ASM CHAIN		Sus. by C032-000166	
50		C032-000166	1	BRAKE,ASM CHAIN			
51	+	C300-000170	1	GUARD,SPROCKET			
53	+	91318-05032	1	SCREW	5*32		
54	+	433167-39130	1	SPACER			
55	+	V353-000060	1	COLLAR,5			
56	+	900562-50005	1	LOCKNUT 5	5		
57	+	V452-000110	1	SPRING,TORSION			
59	+	433116-35430	1	SPACER 8	8*12*9		
60	+	900330-30260	2	ROLLER 3*26	3*26		
61	+	C345-000112	1	COVER,BRAKE			
62	+	900253-04012	2	SCREW	4*12		
63	+	93050-30098	1	ROLLER	F3*9.8		
65	+	V450-000070	1	SPRING,COMPRESSION			
66	+	C328-000020	1	BAND,BRAKE			
67	+	P021-007982	1	BRAKE LEVER KIT			
68	++	C320-000032	1	LEVER,BRAKE		Sus. by C320-000033	
68	++	C320-000033	1	LEVER,BRAKE		Sus. by C320-000034	
69	++	C334-000070	1	CONNECTOR,BRAKE			
70	++	V376-000450	1	SPACER			

11. Carburetor(Sr/Nr 35049497 and before)



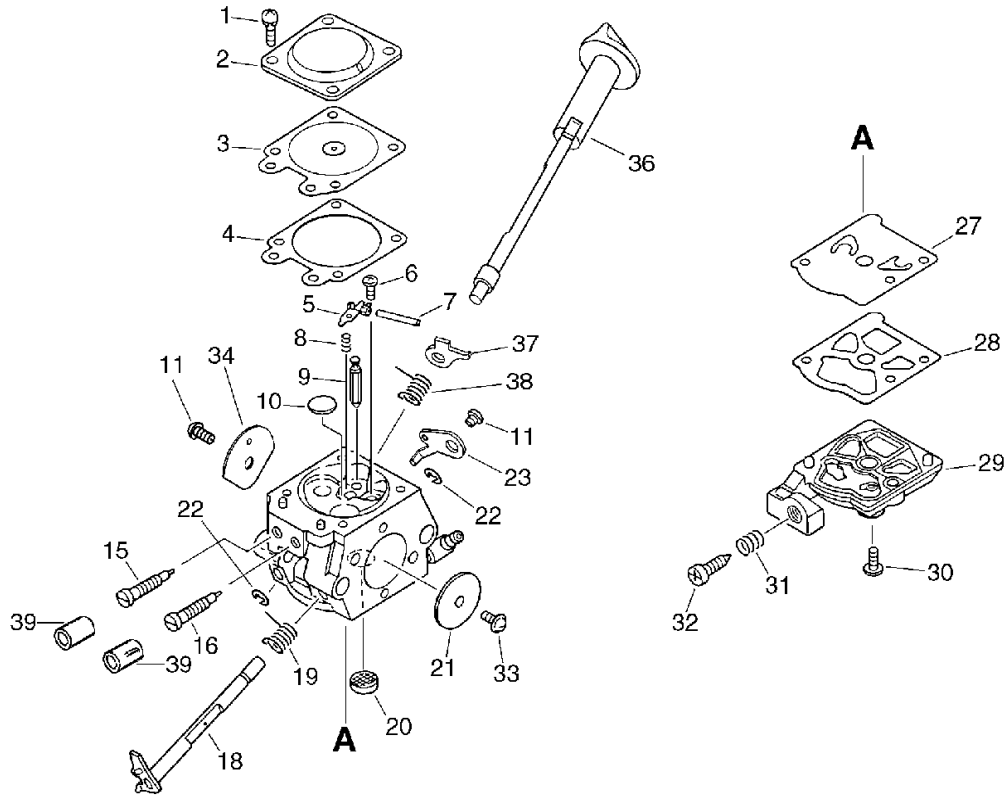
KEY	LV	PART NUMBER	Q'TY	DESCRIPTION	REMARKS	NOTE1	NOTE2
		A021-000210	1	CARBURETOR,DIAPHRAGM	WT-584	Sus. by A021-000211	
		A021-000211	1	CARBURETOR,DIAPHRAGM	WT-584		
1	+	123130-02960	4	SCREW			
2	+	123142-03930	1	COVER, M. DIAPHRAGM			
3	+	123141-03930	1	DIAPHRAGM, METERING			
4	+	123140-27230	1	GASKET,M. DIAPHRAGM			
5	+	123123-03930	1	LEVER, METERING			
6	+	123139-03930	1	SCREW, M. LEVER PIN			
7	+	123138-03930	1	PIN, METERING LEVER			
8	+	123122-39830	1	SPRING, METER. LEVER		Sus. by 123122-03660	
8	+	123122-03660	1	SPRING, METER. LEVER			
9	+	123137-19830	1	VALVE, INLET NEEDLE			
10	+	123146-10631	1	PLUG, WELCH			
11	+	123114-03930	1	SCREW		Sus. by 123114-38830	
11	+	123114-38830	1	SCREW			
14	+	123119-22130	1	SPRING, NEEDLE			
15	+	P003-000390	1	NEEDLE, HIGH SPEED			
16	+	123118-38330	1	NEEDLE, IDLE			
17	+	123121-22130	1	SPRING, NEEDLE			
18	+	P003-000370	1	SHAFT, THROTTLE			
19	+	123113-37530	1	SPRING, THROTTLE RTN			
20	+	123126-10631	1	SCREEN, INLET			
21	+	123116-05960	1	VALVE, THROTTLE			

11. Carburetor(Sr/Nr 35049497 and before)



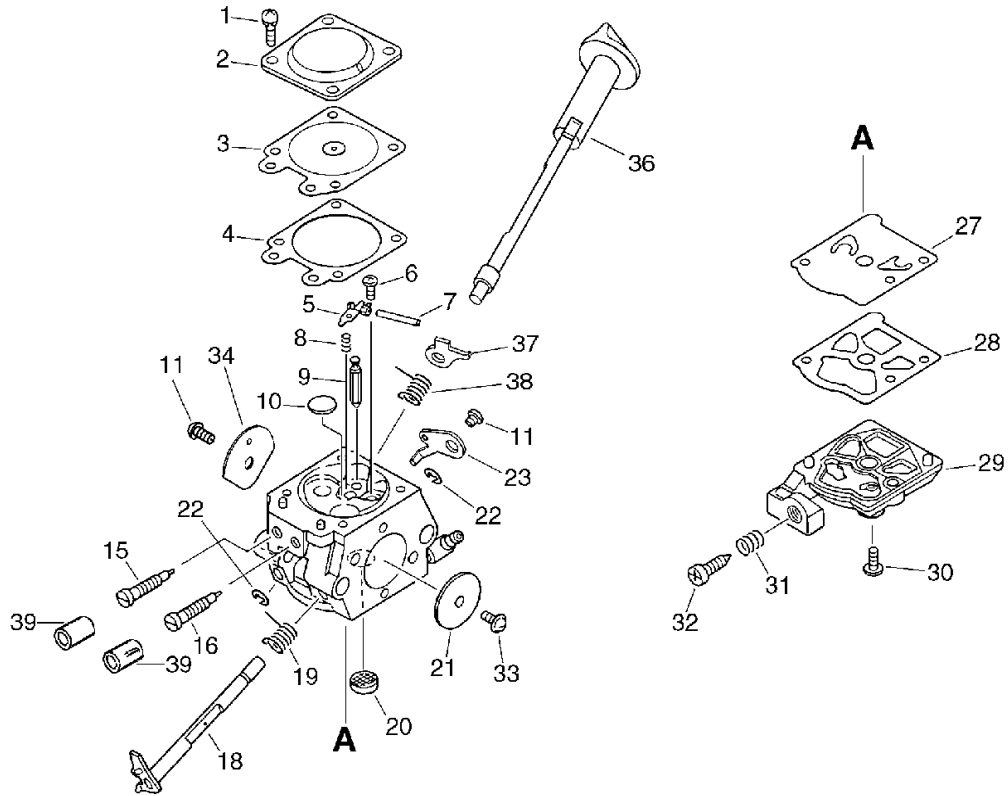
KEY	LV	PART NUMBER	Q'TY	DESCRIPTION	REMARKS	NOTE1	NOTE2
22	+	123127-15030	2	RING			
23	+	P003-000380	1	THROTTLE, LEVER			
27	+	123112-15030	1	DIAPHRAGM, FUEL PUMP			
28	+	123125-15030	1	GASKET, FUEL PUMP			
29	+	123124-09520	1	COVER, FUEL PUMP		Sus. by 123124-24430	
29	+	123124-24430	1	COVER, FUEL PUMP			
30	+	123110-03930	1	SCREW, PUMP COVER			
31	+	123133-04260	1	SPRING, IDLE ADJUST			
32	+	123134-04260	1	SCREW, IDLE ADJUST			
33	+	123114-05260	1	SCREW			
34	+	P003-000410	1	VALVE CHOKE			
35	+	123114-38830	1	SCREW			
36	+	P003-000400	1	SHAFT-CHOKE(MOLD)			
37	+	P003-000430	1	LEVER-FAST IDLE			
38	+	P003-000420	1	SPRING			

12. Carburetor(Sr/Nr 36001001 and after)



KEY	LV	PART NUMBER	Q'TY	DESCRIPTION	REMARKS	NOTE1	NOTE2
		A021-000970	1	CARBURETOR,DIAPHRAGM	WT696	Sus. by A021-000973	
		A021-000972	1	CARBURETOR,DIAPHRAGM		Sus. by A021-000973	
		A021-000973	1	CARBURETOR,DIAPHRAGM	WT696C		
1	+	123130-02960	4	SCREW			
2	+	123142-03930	1	COVER, M. DIAPHRAGM			
3	+	123141-03930	1	DIAPHRAGM, METERING			
4	+	123140-27230	1	GASKET,M. DIAPHRAGM			
5	+	123123-38330	1	LEVER, METERING			
6	+	123139-03930	1	SCREW, M. LEVER PIN			
7	+	123138-03930	1	PIN, METERING LEVER			
8	+	123122-03660	1	SPRING, METER. LEVER			
9	+	123137-19830	1	VALVE, INLET NEEDLE			
10	+	123146-10631	1	PLUG, WELCH			
11	+	123114-38830	2	SCREW			
15	+	123118-02261	1	NEEDLE			
16	+	123120-52131	1	NEEDLE, HIGH SPEED			
18	+	P003-001300	1	SHAFT, THROTTLE			
19	+	123113-37530	1	SPRING, THROTTLE RTN			
20	+	123126-10631	1	SCREEN, INLET			
21	+	123116-05960	1	VALVE, THROTTLE			
22	+	123127-15030	2	RING			
23	+	P003-000380	1	THROTTLE, LEVER			
27	+	123112-15030	1	DIAPHRAGM, FUEL PUMP			
28	+	123125-15030	1	GASKET, FUEL PUMP			

12. Carburetor(Sr/Nr 36001001 and after)



KEY	LV	PART NUMBER	Q'TY	DESCRIPTION	REMARKS	NOTE1	NOTE2
29	+	123124-24430	1	COVER, FUEL PUMP			
30	+	123110-03930	1	SCREW, PUMP COVER			
31	+	123133-04260	1	SPRING, IDLE ADJUST			
32	+	123134-04260	1	SCREW, IDLE ADJUST			
33	+	123114-05260	1	SCREW			
34	+	P003-000410	1	VALVE CHOKE		Sr/Nr 36003010 and before	
34	+	123132-35430	1	VALVE, CHOKE		Sr/Nr 36003011 and after	
36	+	P003-000400	1	SHAFT-CHOKE(MOLD)			
37	+	P003-000430	1	LEVER-FAST IDLE		Sr/Nr 36003010 and before	
37	+	P003-001480	1	LEVER-FAST IDLE		Sus. by P003- 001510	
37	+	P003-001510	1	LEVER-FAST IDLE		Sr/Nr 36003011 and after	
38	+	P003-000420	1	SPRING		Sr/Nr 36003010 and before	
38	+	P003-001470	1	SPRING		Sr/Nr 36003011 and after	
39	+	P003-000010	2	LIMITER CAP			

Index

Patrs Number	Key No.	Patrs Number	Key No.	Patrs Number	Key No.
100011-05731	1 - 4	123138-03930	11 - 7	177226-60930	3 - 14
100013-22330	1 - 5	123138-03930	12 - 7	177226-60930	4 - 14
100014-11520	1 - 7	123139-03930	11 - 6	177236-44330	3 - 15
100015-04630	1 - 6	123139-03930	12 - 6	177236-44330	4 - 15
100910-18830	6 - 17	123140-27230	11 - 4	431610-10030	7 - 44
100910-18831	6 - 17	123140-27230	12 - 4	431610-10030	8 - 44
100918-15130	6 - 18	123141-03930	11 - 3	433014-60930	7 - 16
123110-03930	11 - 30	123141-03930	12 - 3	433019-12330	7 - 12
123110-03930	12 - 30	123142-03930	11 - 2	433019-12330	8 - 12
123112-15030	11 - 27	123142-03930	12 - 2	433026-35430	1 - 25
123112-15030	12 - 27	123146-10631	11 - 10	433116-35430	10 - 59
123113-37530	11 - 19	123146-10631	12 - 10	433116-35430	8 - 59
123113-37530	12 - 19	123181-39130	5 - 23	433116-35430	9 - 12
123114-03930	11 - 11	129010-33330	2 - 10	433116-35430	9 - 59
123114-05260	11 - 33	130020-33330	6 - 4	433167-39130	10 - 54
123114-05260	12 - 33	131051-19830	5 - 7	433167-39130	8 - 54
123114-38830	11 - 11	131051-19830	5 - 7	433167-39130	9 - 7
123114-38830	11 - 35	131205-14930	5 - 19	433167-39130	9 - 54
123114-38830	12 - 11	131300-56430	5 - 21	436114-13930	1 - 18
123116-05960	11 - 21	132001-15030	5 - 27	436205-02832	5 - 10
123116-05960	12 - 21	132010-00760	5 - 24	890118-49330	4 - 29
123118-02261	12 - 15	132010-04920	5 - 25	890631-38230	3 - 24
123118-38330	11 - 16	132010-11520	5 - 16	890631-38230	4 - 24
123119-22130	11 - 14	132010-22130	5 - 11	895410-02830	7 - 40
123120-52131	12 - 16	132012-11960	5 - 14	895410-02830	8 - 40
123121-22130	11 - 17	132013-09820	5 - 18	895812-03930	7 - 41
123122-03660	11 - 8	132013-26630	5 - 12	895812-03930	8 - 41
123122-03660	12 - 8	132013-26630	5 - 12	898510-39130	7 - 46
123122-39830	11 - 8	132115-01461	5 - 13	898510-39130	8 - 46
123123-03930	11 - 5	132115-44330	5 - 20	898568-14530	7 - 39
123123-38330	12 - 5	145510-13931	2 - 4	898568-14530	8 - 39
123124-09520	11 - 29	150117-16430	3 - 5	900105-05016	3 - 21
123124-24430	11 - 29	150117-16430	4 - 5	900106-05016	1 - 29
123124-24430	12 - 29	156110-04920	3 - 6	900106-05016	1 - 29
123125-15030	11 - 28	156110-04920	4 - 6	900106-05020	1 - 2
123125-15030	12 - 28	156114-07320	3 - 8	900106-05020	1 - 17
123126-10631	11 - 20	156114-07320	4 - 8	900106-05025	1 - 17
123126-10631	12 - 20	159010-10230	3 - 9	900162-04012	1 - 14
123127-15030	11 - 22	159010-10230	4 - 9	900162-05022	1 - 2
123127-15030	12 - 22	159011-03432	3 - 11	900216-05016	3 - 21
123130-02960	11 - 1	159012-01620	3 - 10	900238-04012	5 - 4
123130-02960	12 - 1	163911-30130	1 - 22	900238-05022	3 - 4
123132-35430	12 - 34	175012-35630	7 - 4	900238-05022	4 - 4
123133-04260	11 - 31	175012-35630	8 - 4	900238-05050	2 - 8
123133-04260	12 - 31	175014-39130	7 - 10	900253-04010	7 - 14
123134-04260	11 - 32	175014-39131	7 - 10	900253-04010	8 - 14
123134-04260	12 - 32	175014-39131	8 - 10	900253-04012	10 - 62
123137-19830	11 - 9	177215-60930	3 - 17	900253-04012	1 - 21
123137-19830	12 - 9	177215-60930	4 - 17	900253-04012	6 - 14

Index

Patrs Number	Key No.	Patrs Number	Key No.	Patrs Number	Key No.
900253-04012	8 - 62	A051-000031	4 - 12	A552-000020	8 - 6
900253-04012	9 - 3	A056-000030	7 - 5	A556-000090	7 - 3
900253-04012	9 - 62	A056-000030	8 - 5	A556-000091	7 - 3
900253-04016	6 - 20	A127-000020	1 - 20	A556-000091	8 - 3
900253-04016	7 - 2	A127-000021	1 - 20	A556-000100	7 - 43
900253-04016	8 - 2	A172-000110	3 - 19	A556-000101	7 - 43
900253-05020	1 - 26	A172-000111	3 - 19	A556-000101	8 - 43
900253-05020	6 - 8	A172-000112	3 - 19	C022-000000	5 - 2
900256-04016	3 - 26	A172-000112	4 - 19	C032-000040	9 -
900256-04016	4 - 26	A190-000050	1 - 16	C032-000041	9 -
900256-04016	6 - 5	A190-000051	1 - 16	C032-000042	9 -
900256-04016	6 - 20	A190-000052	1 - 16	C032-000043	9 -
900330-30260	10 - 60	A190-000052	1 - 16	C032-000044	9 -
900330-30260	8 - 60	A202-000000	1 - 13	C032-000160	9 -
900330-30260	9 - 60	A202-000001	1 - 13	C032-000161	9 -
900330-40298	9 - 5	A225-000020	2 - 9	C032-000162	9 -
900515-00008	3 - 2	A225-000021	2 - 9	C032-000163	9 -
900515-00008	4 - 2	A225-000022	2 - 9	C032-000164	9 -
900560-00005	9 - 9	A225-000023	2 - 9	C032-000165	10 - 50
900560-00005	9 - 56	A226-000050	2 - 12	C032-000165	9 -
900562-50005	10 - 56	A232-000060	2 - 13	C032-000166	10 - 50
900562-50005	8 - 56	A232-000061	2 - 13	C032-000166	9 -
900562-50005	9 - 56	A235-000040	2 - 14	C300-000030	9 - 1
900603-00005	3 - 22	A239-000000	6 - 2	C300-000031	9 - 1
900603-00005	4 - 22	A244-000000	2 - 11	C300-000032	9 - 1
900720-00018	5 - 6	A300-000130	2 - 2	C300-000170	10 - 51
900720-00018	5 - 6	A301-000000	2 - 5	C300-000170	8 - 51
900724-00004	1 - 19	A303-000000	2 - 3	C300-000170	9 - 51
900800-36001	1 - 10	A320-000020	7 - 1	C305-000020	1 - 23
91107-05040	2 - 6	A320-000021	7 - 1	C305-000021	1 - 23
91318-05032	10 - 53	A320-000021	8 - 1	C305-000030	7 - 13
91318-05032	8 - 53	A365-000050	5 - 7	C305-000031	7 - 13
91318-05032	9 - 6	A365-000050	5 - 7	C305-000031	8 - 13
91318-05032	9 - 53	A409-000040	3 - 1	C309-000030	7 - 16
93050-30098	10 - 63	A409-000040	4 - 1	C309-000030	8 - 16
93050-30098	8 - 63	A411-000040	3 - 3	C320-000010	9 - 4
93050-30098	9 - 15	A411-000040	4 - 3	C320-000030	9 - 68
93050-30098	9 - 63	A426-000010	3 - 11	C320-000031	9 - 68
A021-000210	11 -	A426-000010	4 - 11	C320-000032	10 - 68
A021-000210	2 - 7	A427-000010	3 - 10	C320-000032	8 - 68
A021-000211	11 -	A427-000011	3 - 10	C320-000032	9 - 68
A021-000211	2 - 7	A427-000012	3 - 10	C320-000033	10 - 68
A021-000970	12 -	A427-000012	4 - 10	C320-000033	8 - 68
A021-000970	2 - 7	A440-000210	6 - 1	C328-000000	9 - 14
A021-000972	12 -	A514-000000	3 - 20	C328-000001	9 - 14
A021-000972	2 - 7	A514-000000	4 - 20	C328-000002	9 - 14
A021-000973	12 -	A551-000010	7 - 9	C328-000020	10 - 66
A021-000973	2 - 7	A551-000010	8 - 9	C328-000020	8 - 66
A051-000030	3 - 12	A552-000020	7 - 6	C328-000020	9 - 66

Index

Patrs Number	Key No.	Patrs Number	Key No.	Patrs Number	Key No.
C334-000030	9 - 11	P021-001961	6 - 3	V355-000270	8 - 20
C334-000040	9 - 69	P021-001962	6 - 3	V358-000020	1 - 15
C334-000060	9 - 69	P021-001963	6 - 3	V376-000450	10 - 70
C334-000070	10 - 69	P021-001980	5 - 1	V376-000450	8 - 70
C334-000070	8 - 69	P021-001990	5 - 5	V376-000450	9 - 70
C334-000070	9 - 69	P021-001991	5 - 5	V376-000450	9 - 70
C345-000020	9 - 2	P021-002000	5 - 8	V376-000540	9 - 70
C345-000110	9 - 61	P021-002001	5 - 8	V450-000070	10 - 65
C345-000111	9 - 61	P021-002010	7 - 38	V450-000070	8 - 65
C345-000112	10 - 61	P021-002010	8 - 38	V450-000070	9 - 13
C345-000112	8 - 61	P021-003430	1 - 16	V450-000070	9 - 65
C345-000112	9 - 61	P021-003431	1 - 16	V450-000080	6 - 13
C400-000050	6 - 7	P021-003432	1 - 16	V450-000080	6 - 13
C450-000010	6 - 9	P021-003433	1 - 16	V450-000340	6 - 6
C454-000050	6 - 10	P021-003434	1 - 16	V451-000150	7 - 8
C460-000000	6 - 12	P021-003435	1 - 16	V451-000150	8 - 8
C460-000001	6 - 12	P021-005580	5 - 8	V452-000010	6 - 11
C460-000002	6 - 12	P021-005581	5 - 8	V452-000020	9 - 10
P003-000010	12 - 39	P021-005590	5 - 5	V452-000030	3 - 23
P003-000370	11 - 18	P021-005591	5 - 5	V452-000030	4 - 23
P003-000380	11 - 23	P021-007890	9 - 67	V452-000110	10 - 57
P003-000380	12 - 23	P021-007891	9 - 67	V452-000110	8 - 57
P003-000390	11 - 15	P021-007892	9 - 67	V452-000110	9 - 57
P003-000400	11 - 36	P021-007982	10 - 67	V453-000010	9 - 16
P003-000400	12 - 36	P022-001320	3 - 13	V470-000320	5 - 17
P003-000410	11 - 34	P022-001320	4 - 13	V471-000310	5 - 25
P003-000410	12 - 34	P022-001330	3 - 16	V471-001230	5 - 16
P003-000420	11 - 38	P022-001330	4 - 16	V471-001250	5 - 24
P003-000420	12 - 38	P022-001350	3 - 18	V471-001260	5 - 25
P003-000430	11 - 37	P022-001350	4 - 18	V475-001900	3 - 27
P003-000430	12 - 37	V137-000000	5 - 22	V475-001900	4 - 27
P003-001300	12 - 18	V150-000420	6 - 15	V475-003550	3 - 28
P003-001470	12 - 38	V186-000020	5 - 26	V475-003550	4 - 28
P003-001480	12 - 37	V187-000010	5 - 15	V485-000140	3 - 7
P003-001510	12 - 37	V202-000000	6 - 16	V485-000140	4 - 7
P021-000060	7 - 15	V202-000010	1 - 28	V505-000000	1 - 11
P021-000061	7 - 15	V202-000011	1 - 28	V553-000010	1 - 9
P021-000062	7 - 15	V203-000020	7 - 17	V651-000000	7 - 19
P021-000063	7 - 15	V203-000021	7 - 17	V651-000001	7 - 19
P021-000063	8 - 15	V203-000021	8 - 17	V651-000001	8 - 19
P021-001890	1 - 1	V203-000100	3 - 21	V651-000010	7 - 18
P021-001891	1 - 1	V203-000100	4 - 21	V651-000011	7 - 18
P021-001892	1 - 1	V225-000030	1 - 27	V651-000011	8 - 18
P021-001900	1 - 3	V353-000060	10 - 55	V652-000010	1 - 12
P021-001920	1 - 8	V353-000060	8 - 55	V652-000010	5 - 3
P021-001930	2 - 1	V353-000060	9 - 8	X101-000010	7 - 45
P021-001950	7 - 7	V353-000060	9 - 55	X101-000010	8 - 45
P021-001950	8 - 7	V355-000030	7 - 20	X121-000000	7 - 36
P021-001960	6 - 3	V355-000270	7 - 20	X121-000001	7 - 36

Index

Patrs Number	Key No.	Patrs Number	Key No.	Patrs Number	Key No.
X121-000002	7 - 36				
X121-000002	8 - 36				
X221-000000	7 - 37				
X221-000000	8 - 37				
X502-000020	3 - 25				
X502-000020	4 - 25				
X502-000020	7 - 42				
X502-000020	8 - 42				
X502-000340	4 - 25				
X502-000340	8 - 42				
X502-000410	4 - 29				
X503-001520	2 - 15				
X505-000370	1 - 24				
X640-000010	7 - 47				
X640-000010	8 - 47				

YAMABIKO CORPORATION

7-2 SUEHIROCHO 1-CHOME, OHME, TOKYO 198-8760, JAPAN
PHONE: 81-428-32-6118. FAX: 81-428-32-6145.

